

---

# ACHILL

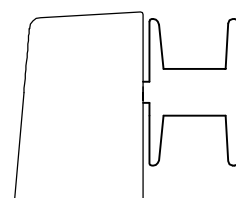
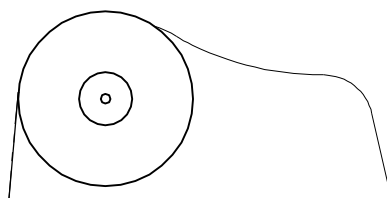
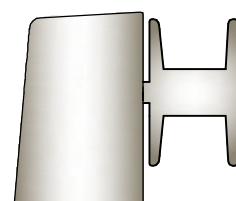
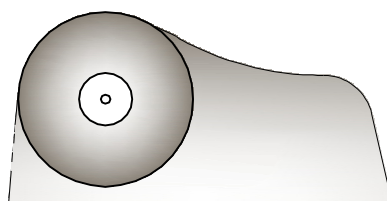
---

## OPERATION AND INSTALLATION MANUAL

---

500W 12V/24V

800W 12V



UK

- PG. 1: INTRODUCTION
- PG. 2: TECHNICAL CHARACTERISTICS
- PG. 3: INSTALLATION
- PG. 4: WIRING DIAGRAM 2-POLE MOTOR
- PG. 5: SPARE PARTS 500W 800W
- PG. 6: OPERATION AND MAINTENANCE
- PG. 7: WARRANTY TERMS - MODEL IDENTIFICATION

# TECHNICAL CHARACTERISTICS

PLEASE CAREFULLY READ THE INSTRUCTIONS FOR USE AND ASSEMBLY CONTAINED IN THIS MANUAL BEFORE OPERATING AND INSTALLING THE ANCHOR WINCH

MODEL	ACHILL	
VERSION	500 12V / 24V	800 12V
MOTOR POWER	500 W	800 W
MAXIMUM INSTANTANEOUS PULL	550 KG	800 KG
MAXIMUM WORKING LOAD	200 KG	280 KG
WORKING LOAD	70 KG	90 KG
CURRENT INTAKE UNDER WORKING LOAD (1)	45A(12V) 22A(24V)	64A(12V) 32A(24V)
MAXIMUM RECOVERY SPEED (2)	15-20 m/min.	17-22 m/min.
RECOVERY SPEED UNDER WORKING LOAD (2)	12-16 m/min.	14-18 m/min.
MAXIMUM LENGHT BELT (3)	7 MT	7 MT
MINIMUM NITIR CABLE SIZE (4)	16mmq(12V) 10mmq(24V)	35mm(12V) 25mm(24V)
SAFETY CIRCUIT BREAKER (5)	40A(12V) 20A(24V)	70A(12V) 40A(24V)
SPESSORE LUOGO DI FISSAGGIO (6)	18-30 mm	18-30 mm
WEIGHT	APPROX KG 8	APPROX KG 9

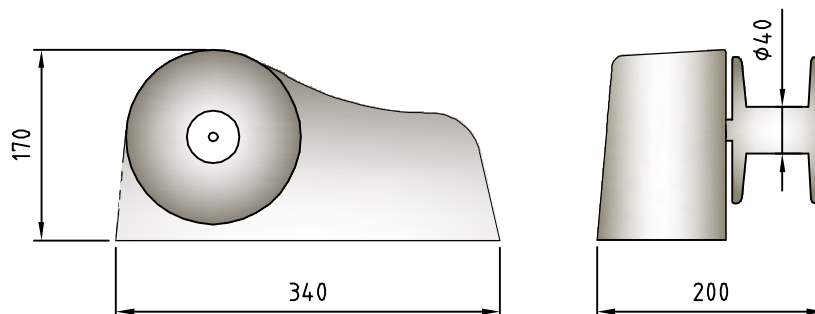
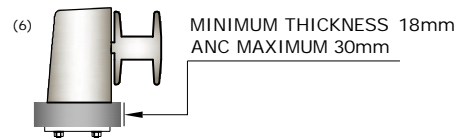
(1) AFTER INITIAL PERIOD OF USE

(2) THE SPEED OF RECOVERY INCREASES OF DECREASES DEPENDING ON HOW BELT AND WRAPPED ON THE HUB

(3) WIDHT BLET SERIES 5 CM.

(4) MINIMUM VALUE

(5) SWITCH WITH PARTICULAR FOR CURRENT AND DELAYED



# INSTALLATION

PLEASE CAREFULLY READ THE INSTRUCTIONS FOR USE AND ASSEMBLY CONTAINED IN THIS MANUAL BEFORE OPERATING AND INSTALLING THE WINCH

## PACKAGE CONTENTS:

Winch complete of coverage, gearmotor, contactors/reversing contactor units, assembly screws, drilling template, operation and installation manual.

## TOOL NEEDED FOR INSTALLATION:

Drilling with a Ø9 bit, 13mm hex wrench, Allen wrench 8, phillips screwdriver and silicone.

## INSTALLATION REQUIREMENTS:

The winch can be positioned at any point, vertically or horizontally, once identified the mounting location, verify that the surface of support is as flat as possible, otherwise smooth appropriately.

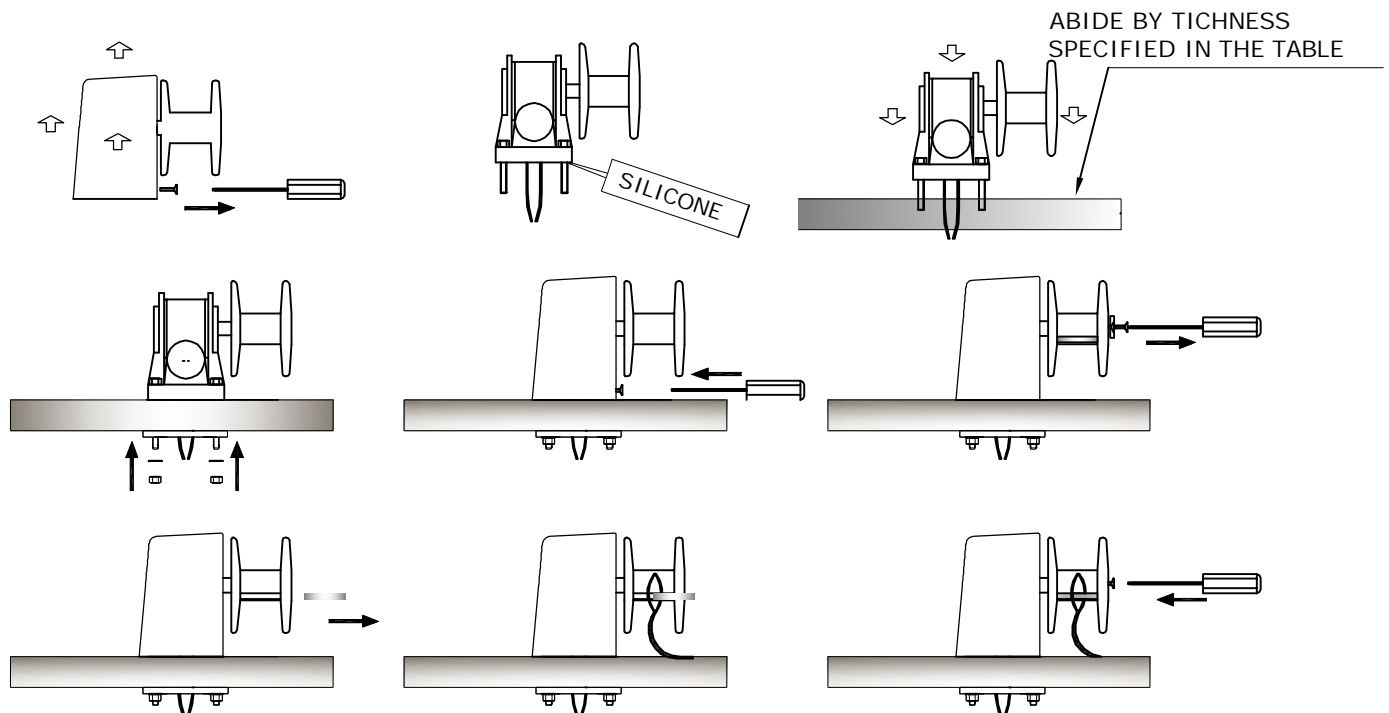
IT'S IMPORTANT THAT THE POINT WHERE YOU HAVE DECIDED TO FIX THE LIFT IS SUITABLE TO RESIST THE PULL, MAY SERIOUSLY DAMAGE

- Always install an appropriate thermal magnetic breaker to protect the circuit and electric motor from overheating or damage
- All electrical components (motor, contactor, controllers) must be installed so as to be protected again splashes or sprays of water

## INSTALLATION PROCEDURE:

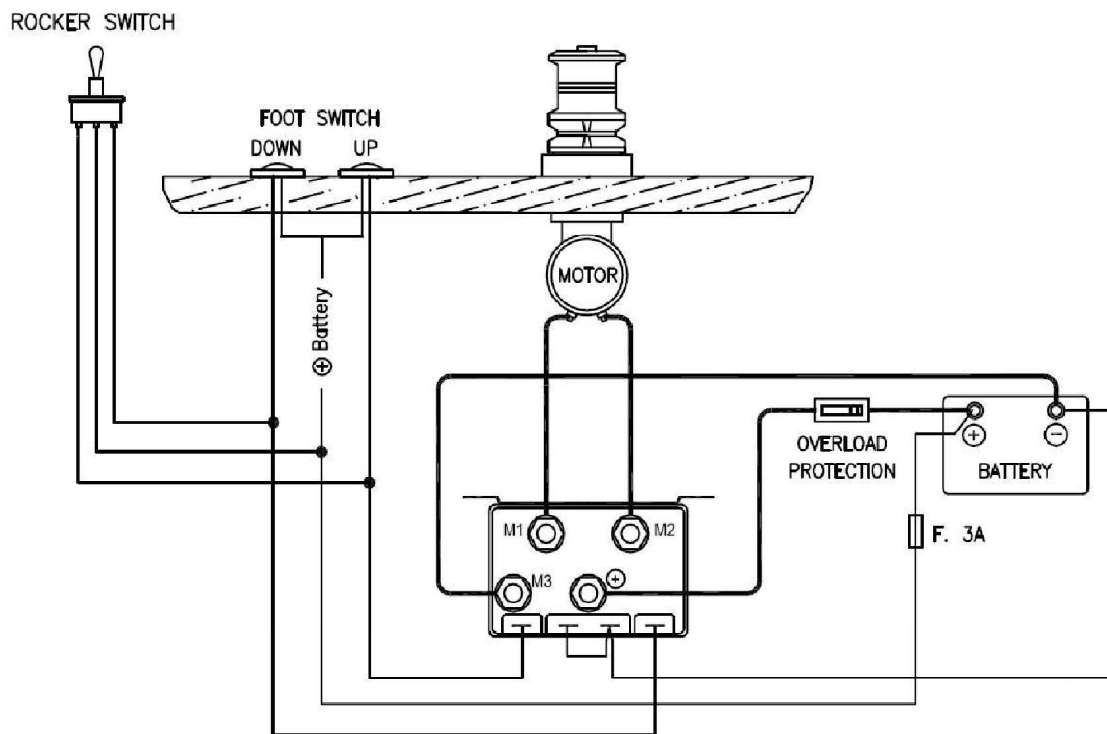
After selecting the installation position, drill holes using the template provided, unscrew the 2 screws under the bell and remove the cover, seal the perimeter below the winch, the cables and tie rods pass through the drilled holes, fix the winch tightening the nuts on the studs (the bolts are of a length stand that allows you to attach to a wall of minimum thickness of 18mm and 30mm max) remove the excess silicone, replace the coverage with the two screws removed earlier. Connect the motor with the appropriate cables from the contactor (remove power before working on electrical parts).

Remove the cover plate and the pin, housing the slot of the seat belt around the hole pin, replace the bolt and screw cap, wrap the strap.

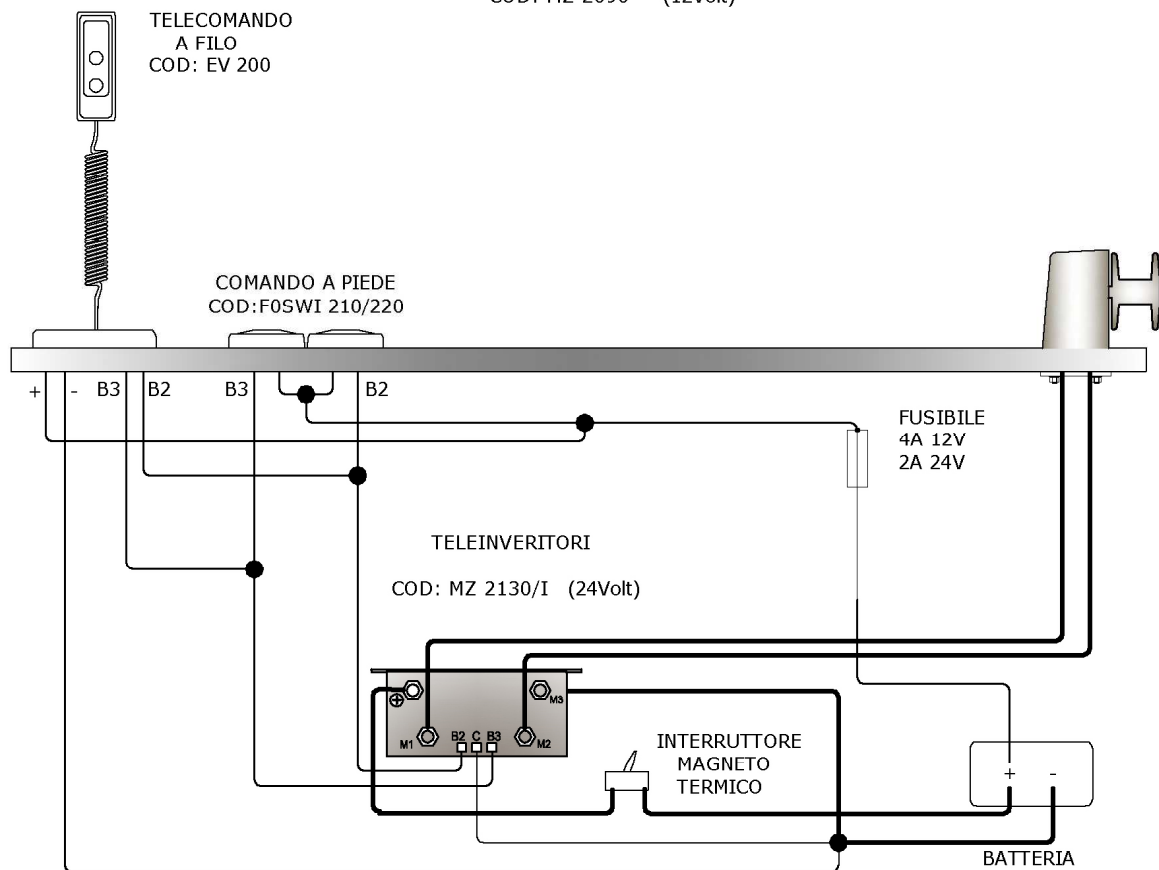


# SCHEMA COLLEGAMENTO ELETTRICO

## SCHEMA ELETTRICO COLLEGAMENTO ACHILL MOTORI CON DUE POLI

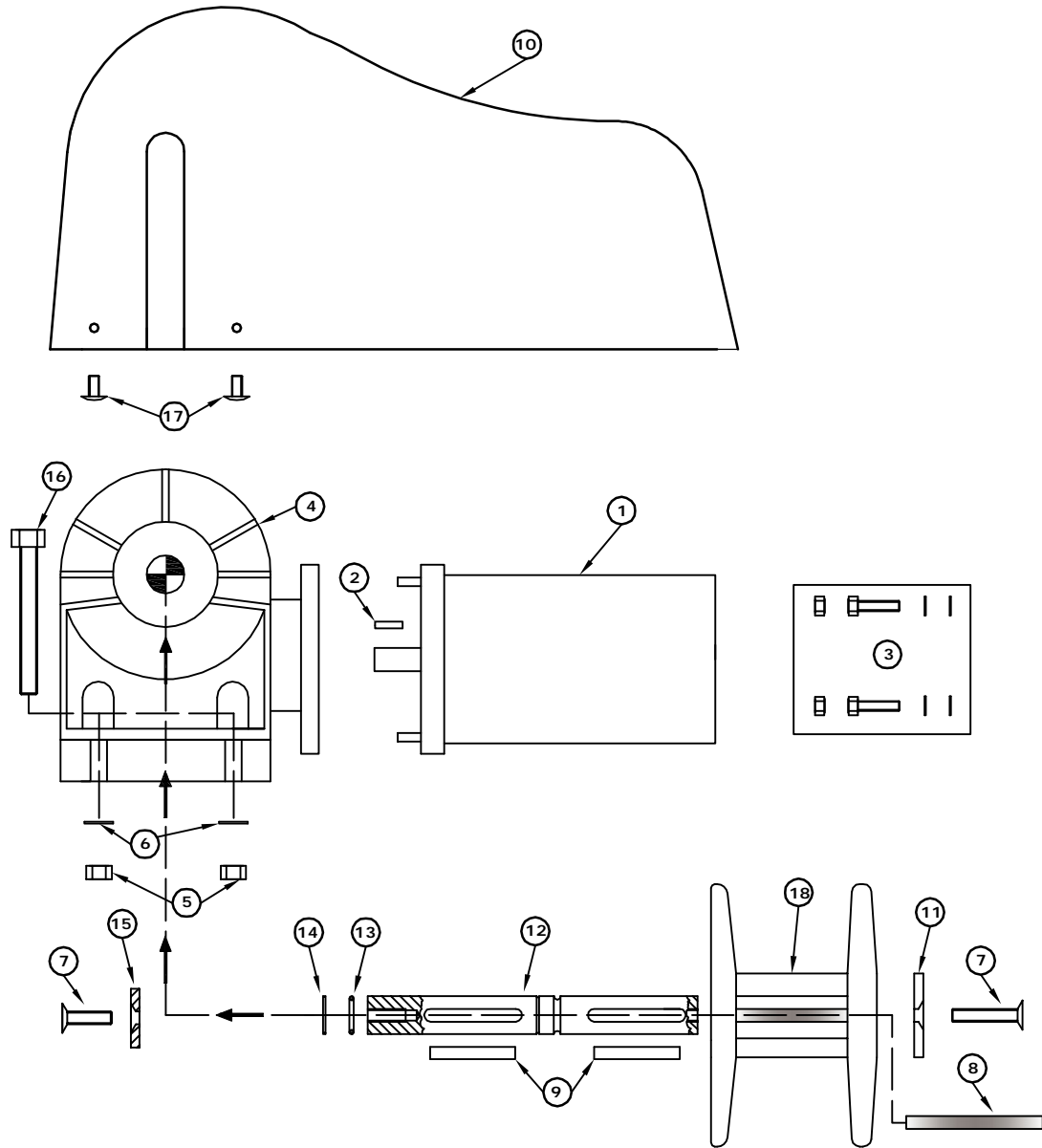


COD: MZ 2090 (12Volt)



# LIST OF SPARE PARTS

## SPARE PARTS LIST FOR ACHILL



POS.	Q.TY	DESCRIPTION	CODE
1A	1	500W MOTOR	100102
1B	1	800W MOTOR	100101
2A	1	500W KEY	100103
2B	1	800W KEY	100148
3	1	MOTOR FASTENING KIT	100104
4	1	GEAR WITH BRACKET	100146
5	4	NUT M8	100253
6	4	WASHER	100106
7	2	SCREW TSEI M6 X 30	100140
8	1	PIN D8 X67	100141
9	2	KEY 6X40	100111
10	1	COVERAGE	1000501

POS.	Q.TY	DESCRIPTION	CODE
11	1	DRUM'S WASHER	1000502
12	1	SHAFT	100503
13	1	REATING RING RADIUS	1000428
14	1	REATING RING	100113
15	1	GEAR'S WASHER	1000504
16	4	SCREW TEI M8X70	100142
17	2	SCREW TBEI M5X10	100143
18	1	DRUM	100147

POSITION No. 18 CODE:100147 INCLUDED:  
 COD: 1000505 No 01 Pc  
 COD: 1000506 No 01 Pc  
 COD: 100157 No 06 Pc  
 COD: 1000507 No 01 Pc

POSITION No 4 CODE: 100146 INCLUDED:  
 COD: 1000508 No 01 Pc  
 COD: 100144 No 01 Pc  
 COD: 100145 No 02 Pc  
 COD: 100254 No 02 Pc

---

## OPERATION

---

- ITALWINCH Winches ITALWINCH were exclusively designed for small to recover TENDER load does not exceed the value indicated in the tables they are not strong points. Do not use these devices for other purposes: improper use could cause damage to the anchor winch or injury to persons.
- ITALWINCH assumes no liability for direct or indirect injury or damage caused to persons or property as a result of improper use.
- The winch has not been designed to hold the craft in severe weather conditions (gales or storms).
- Always switch off the winch when not in use so as to prevent accidental activation.
- Do not exceed the load limit. We recommend aiding the winch during the operations of recovering and casting the TENDER.
- Make sure there are no bathers or other craft nearby before casting the anchor.
- Always install an appropriate thermal magnetic breaker to protect the circuit and electric motor from overheating or damage.
- Secure the chain with a fastener (shackle) before starting your boat trip.
- Always keep hands and feet away from the anchor winch while it is operating.
- If the chain gets caught, switch off the anchor winch and try to free the chain, using extreme caution.
- All electrical components (motor, contactor, controllers) must be installed so as to be protected against splashes or sprays of water.

- DO NOT GO NEAR OR BRING OBJECTS NEAR THE WINCH WHILE IT IS OPERATING. DISCONNECT THE POWER SUPPLY WHEN OPERATING MANUALLY, ALSO WHEN DISENGAGING THE CLUTCH. PERSONS ON BOARD COULD ACCIDENTALLY ACTIVATE THE ANCHOR WINCH WITH THE REMOTE OR RADIO CONTROL.

---

## MANTENANCE

---

**WARNING BEFORE PERFORMING ANY MAINTENANCE JOBS ON THE WINCH  
COMPLETELY DISCONNECT THE POWER SUPPLY TO THE ENTIRE WINCH LINE.**

---

Italwinch winch is constructed with materials resistant to marine environment, it is essential to periodically remove salt deposits that form on the outer surfaces to prevent electrolysis problems, rinse with fresh water and dry the exterior thoroughly

**WARNING:** The electric motor to internal's winch is not waterproof, resistant to splashing water but not submerged

For electrical parts to remove oxide on the contacts of this particular motor and contactor/motor starter with an electrical contact spray and sprinkle with grease.

### SPARE PARTS

In order to identify a spare part, examine the exploded drawing (PG.5), determine the code and the required quantity and order the spare part, making sure to include the serial number shown on the winch

---

## WARRANTY

---

ITALWINCH guarantees its products for a period of two years (2) from the purchase date. The warranty covers any parts recognised to be defective and the labour costs necessary for replacing them. The products must be returned to ITALWINCH carriage paid.

ITALWINCH's liability shall be limited solely to the repair or replacement of parts judged to be defective.

The warranty covers only failures due to manufacturing defects and shall be invalidated if the failure is due to faulty and/or incorrect installation and/or maintenance, and or electrical system faults, improper use, the buyer's incompetence and/or negligence, corrosion, normal wear, discolouring, the replacement of original components or accessories with others of a type not approved by ITALWINCH or any other causes not ascribable to ITALWINCH.

The warranty does not extend to any parts damaged during transport.

The warranty shall be invalid if the product has been tampered with, modified or repaired by unauthorised personnel.

Requests for warranty service must be submitted promptly in writing to ITALWINCH or one of its authorised dealers together with proof of purchase (SALES RECEIPT OR INVOICE). The product must be sent together with a copy of the request, at the retailer's/customer's expense, to ITALWINCH, which shall replace the part(s) judged to be defective.

The warranty does not cover replacement of the product.

The court of MONZA shall have jurisdiction in any disputes.

---

## MODEL IDENTIFICATION

---

In this box you should copy the serial number shown on the bottom of the winch as a further guarantee of traceability.

ITALWINCH RESERVES THE RIGHT TO INTRODUCE CHANGES TO THE TECHNICAL CHARACTERISTICS OF THE DEVICE AND TO THE CONTENT OF THIS MANUAL WITHOUT NOTICE. THE CHARACTERISTICS LISTED ARE VALID BARRING PRINTING ERRORS.

ITALWINCH PRODUCTS COMPLY WITH EUROPEAN COMMUNITY DIRECTIVES

***DISTRIBUTED BY:***

*MZ Electronic srl Via Bainsizza 2 - 20052 Monza (MI) Italy*

*phone +39 039 21 48 126 Fax +39 039 21 46 244*

*e-mail: [info@mzelectronic.com](mailto:info@mzelectronic.com) [www.mzelectronic.com](http://www.mzelectronic.com)*