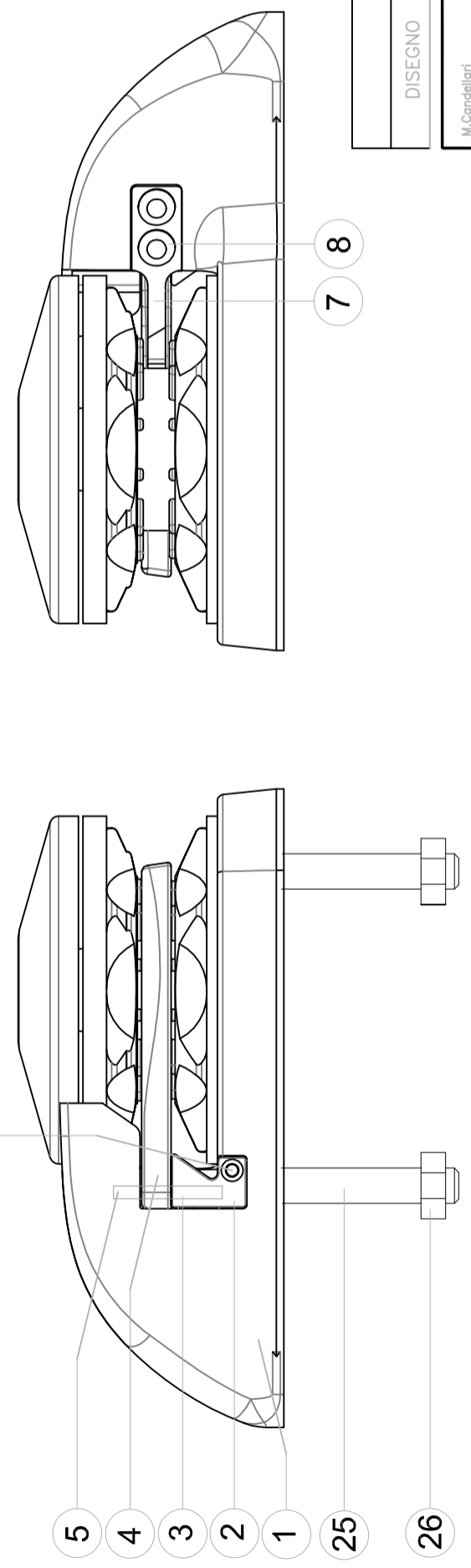
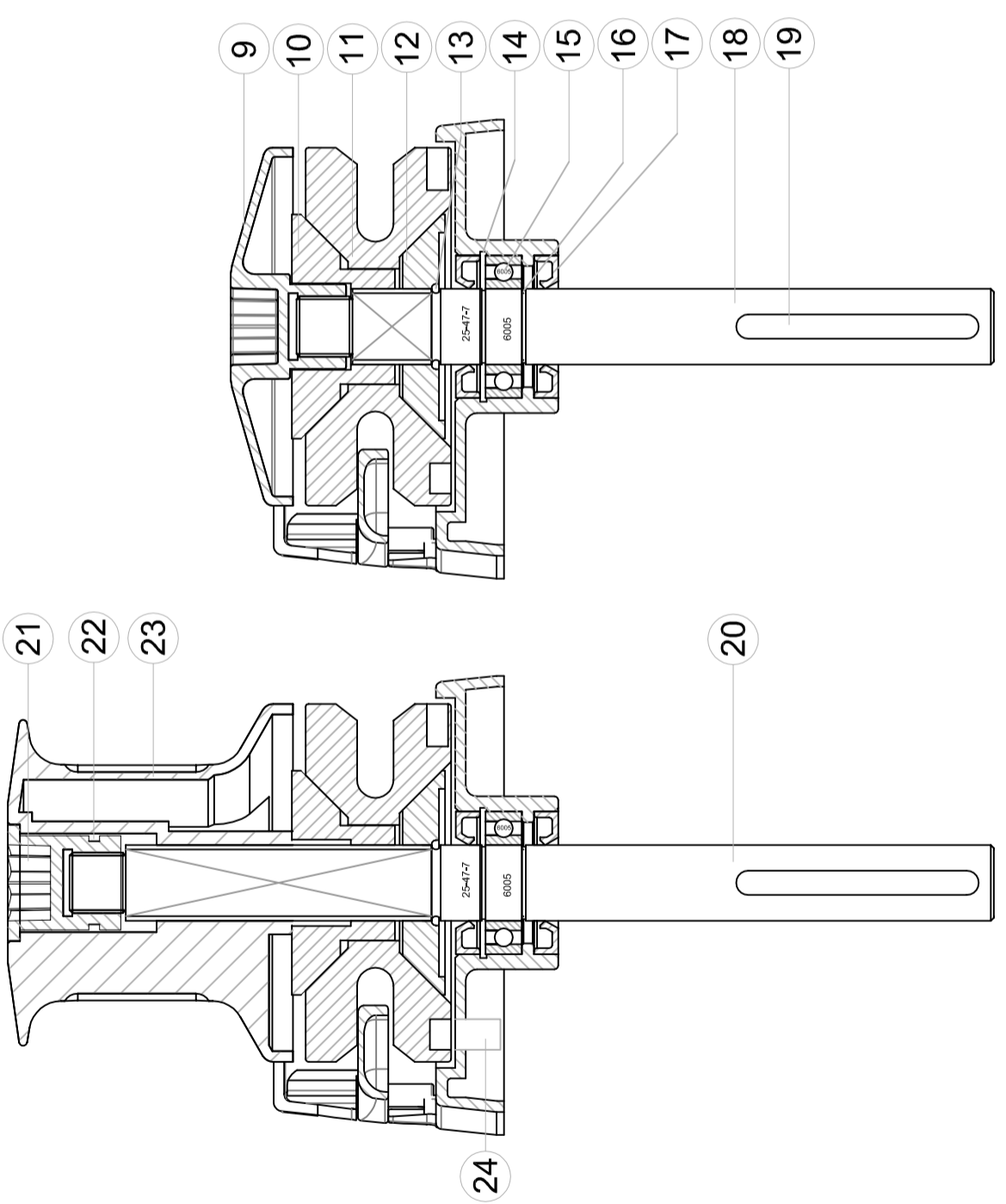
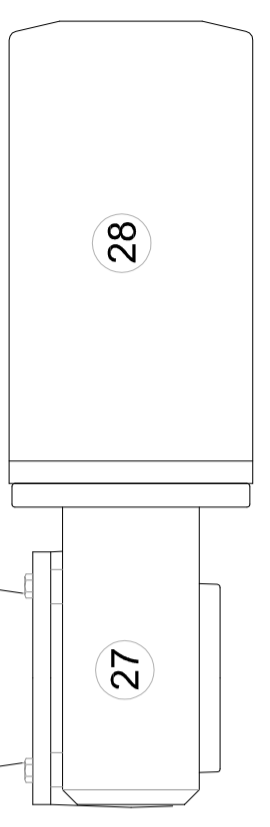


1 2 3 4 5 6 7

MOTOR-GEARBOX



Parts List			
N	CODICE	DESCRIZIONE	Q.TA'
1	BSF_SMP_00A	Base	1
2	BLF_SMP_00A	Finger holder for 8mm chain	1
2	BLF_SMP_00B	Finger holder for 6 and 10 mm chains	1
3	SP_CIL_4X36_INOX	Pivot Ø4x36	1
4	FLF_RI_00A	Finger	1
5	MLF_RI_00A	Finger Spring	1
6	VTTC_M4X10CE	Screw M4x10	1
7	SCF_SMP_00A	Stripper	1
8	VTTSM6X12CE	Screw M6x12	2
9	VLf_SMP_00A/L	Gipsy cover	1
10	FRF_TH_00B	Upper clutch	1
11	BRF_TH_00A	Gipsy 10mm p30 - ISO4565	1
11	BRF_TH_00B	Gipsy 8mm p24	1
11	BRF_TH_00C	Gipsy 10mm p28 - DIN766	1
11	BRF_TH_00D	Gipsy 6mm p18	1
12	FRF_TH_00A	Lower clutch	1
13	ANF_25_00A	Circlip	1
14	SEEG_47_472_INOX	Circlip Ø47 DIN472	1
15	CUSC.6005/2RS	Bearing 6005 2RS	1
16	SEEG_25_471_INOX	Circlip Ø25 DIN471	2
17	MIM25477	Mim 25-477	2
18	ALF_SS_00A	Low profile shaft	1
19	LING.8X7X90	Key 8x7x90	1
20	ALF_SS_00B	High profile shaft	1
21	VLf_SMP_00B/L	Nut	1
22	OR3106	OR3106	1
23	CMF_SMP_00A	Drum	1
24	SENS03	Chaincounter sensor	1
25	PRIG.M8X80	Stud M8x80	4
26	DADOM8	Nut M8	4
27	TH_RID_0V	Gera box for 1000/1500W motors	1
27	RID606	Gera box for 1700W motors	1
28	30780	Motor 1000W 12V	1
28	30781	Motor 1000W 24V	1
28	30785	Motor 1500W 12V	1
28	30786	Motor 1500W 24V	1
28	30370	Motor 1700W 12V	1
28	30371	Motor 1700W 24V	1

1	DISEGNO	Q.TA'	N.o	DENOMINAZIONE	MATERIALE	FINITURA						
<table border="1"> <tr><td>M.Candellari</td></tr> <tr><td>DISEGNATORE</td></tr> <tr><td>M.Candellari</td></tr> <tr><td>VERIFICATO</td></tr> <tr><td>M.Candellari</td></tr> <tr><td>APPROVATO</td></tr> </table>							M.Candellari	DISEGNATORE	M.Candellari	VERIFICATO	M.Candellari	APPROVATO
M.Candellari												
DISEGNATORE												
M.Candellari												
VERIFICATO												
M.Candellari												
APPROVATO												
<table border="1"> <tr><td>SMART PLUS ASSEMBLY</td></tr> <tr><td>TOLL. NON SPECIFICATE ± 0.15</td></tr> <tr><td>QUOTE IN mm</td></tr> <tr><td>SCALE - DATA 01/12/2014</td></tr> <tr><td>SCALA - DATA 01/12/2014</td></tr> </table>							SMART PLUS ASSEMBLY	TOLL. NON SPECIFICATE ± 0.15	QUOTE IN mm	SCALE - DATA 01/12/2014	SCALA - DATA 01/12/2014	
SMART PLUS ASSEMBLY												
TOLL. NON SPECIFICATE ± 0.15												
QUOTE IN mm												
SCALE - DATA 01/12/2014												
SCALA - DATA 01/12/2014												
<table border="1"> <tr><td>SPIGOLI R MAX 0.3</td></tr> <tr><td>FOGLIO 1</td></tr> <tr><td>Peso</td></tr> <tr><td>COD.</td></tr> <tr><td>DIS. N.</td></tr> <tr><td>ASM_SS</td></tr> </table>							SPIGOLI R MAX 0.3	FOGLIO 1	Peso	COD.	DIS. N.	ASM_SS
SPIGOLI R MAX 0.3												
FOGLIO 1												
Peso												
COD.												
DIS. N.												
ASM_SS												

REV.	00	01	02	03	04	05	06
D.M.	CREAZIONE						
DATA	01/12/2014						

Dir Name ASM_SS
File Name ASM_SS

LA ELKRON SI RISERVA I TERMINI A LEGGE LA PROPRIETA' DI QUESTO DISEGNO CON DIVIETO DI RIPRODURLO O COMUNQUE DI RENDERLO NOTO A TERZI SENZA AUTORIZZAZIONE.