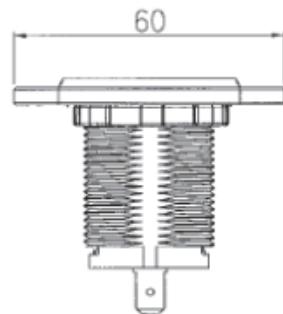
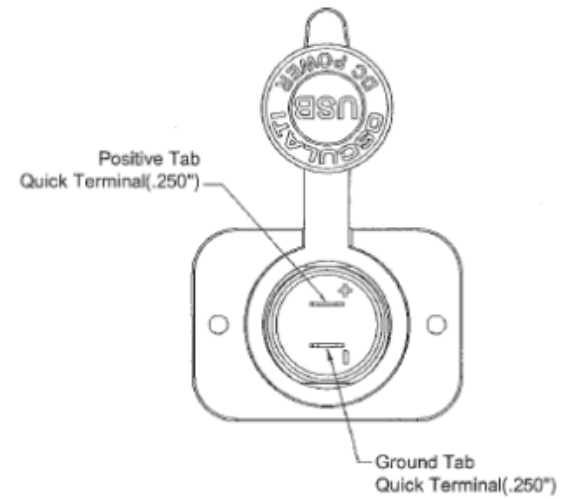
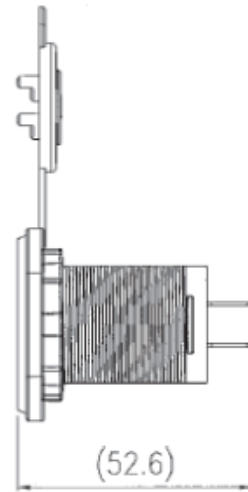
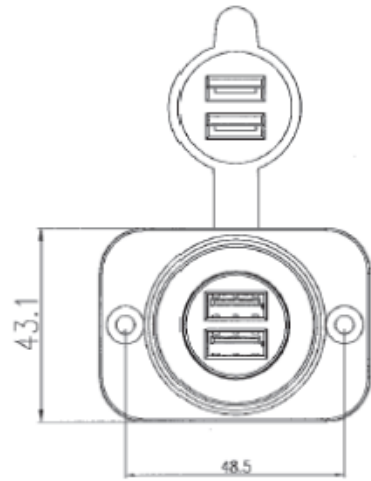


Rating	Input: 12V/24 DC		
	Output: USB Socket - 5V 2.1A max.		
	Insulation Resistance		DC 500V 100MΩ Min.
	Dielectric Strength		AC 1500V 1 minute
Operating Temperature	-0° -60°		



1. Tolerances  $\pm 0.3$  Unless Otherwise Specified