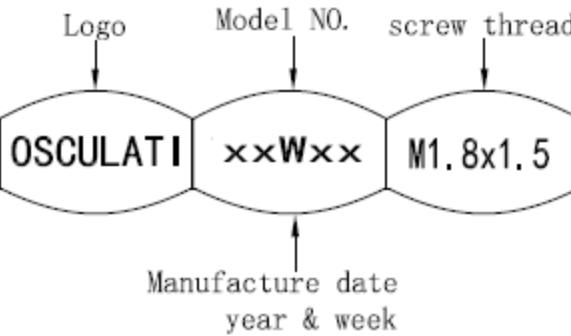
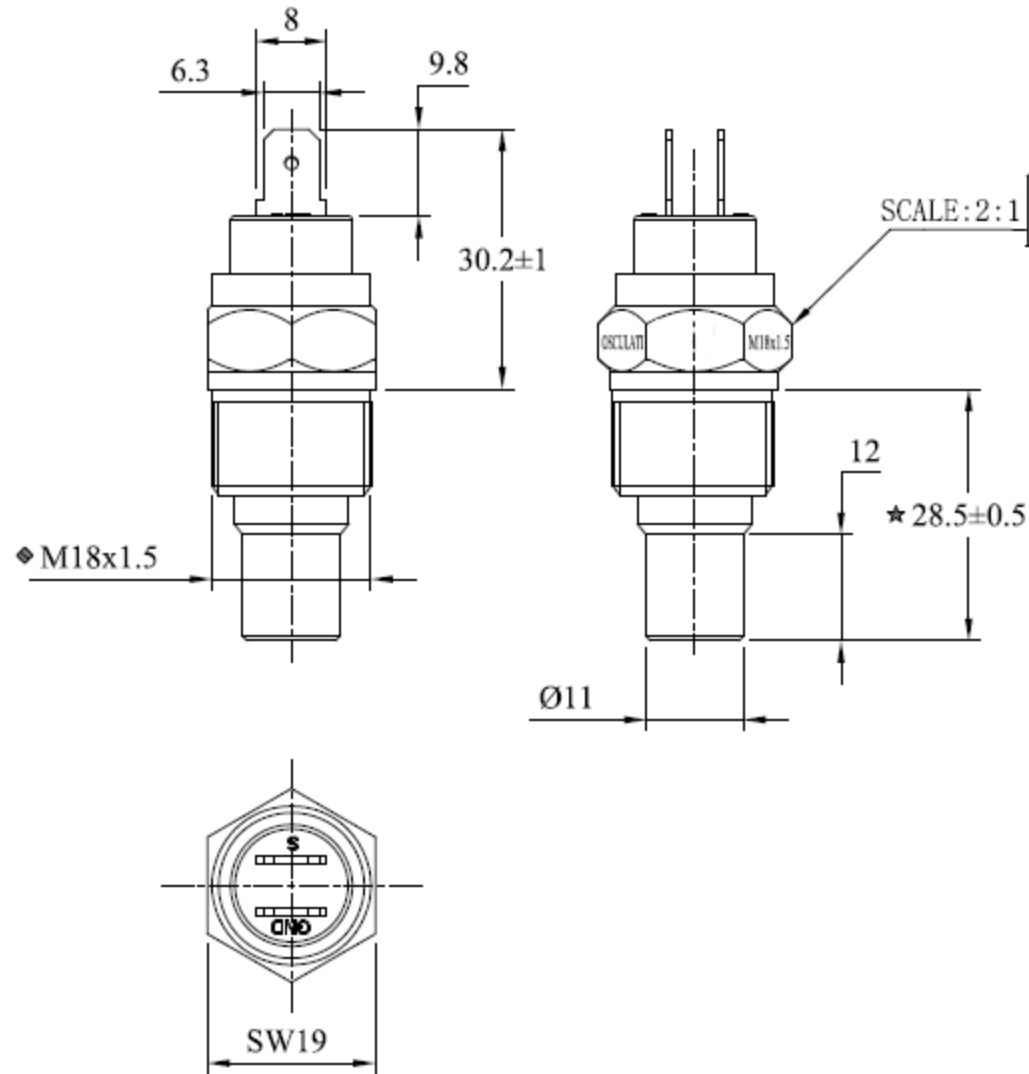


ISSUE	DATE	ZONE	REVISION HISTORY	DRAW
01	JAN.16,2018		New drawing	



NTC Thermistor

- Resistance at +25°C : 560.2ohm ±5%
- Beta value : 3930 K ±1.5%

Resistance parameters for temperature sensor

Water temperature	Temperature °C	40	50	60	70	80
	Ohm	276.5~325.1	189.3~220	132~151.7	94.15~107.1	68.23~76.85
	Temperature °C	90	100	110	120	
	Ohm	50.27~56.11	37.62~41.58	28.33~31.6	21.6~24.29	

TOLERANCE CLASS	FROM 0.5 UP TO 3	OVER 3 UP TO 6	OVER 6 UP TO 30	OVER 30 UP TO 120	OVER 120 UP TO 400	OVER 400 UP TO 1000
ISO 2768C	±0.2	±0.3	±0.5	±0.8	±1.2	±2

MATERIAL:	COLOUR:	PROJECT:	TEMP. SENSOR
ENGINEERED:	Jan.16,2018	PART NAME:	
CHECKED:		WATER TEMPERATURE	
APPROVED:		DRAWING NO.:	ISSUE: 01
PROJECTION	CUSTOMER NO.:		
SCALE: 1:1	SIZE: A4	UNIT: mm	SHEET NO: 1 OF 1