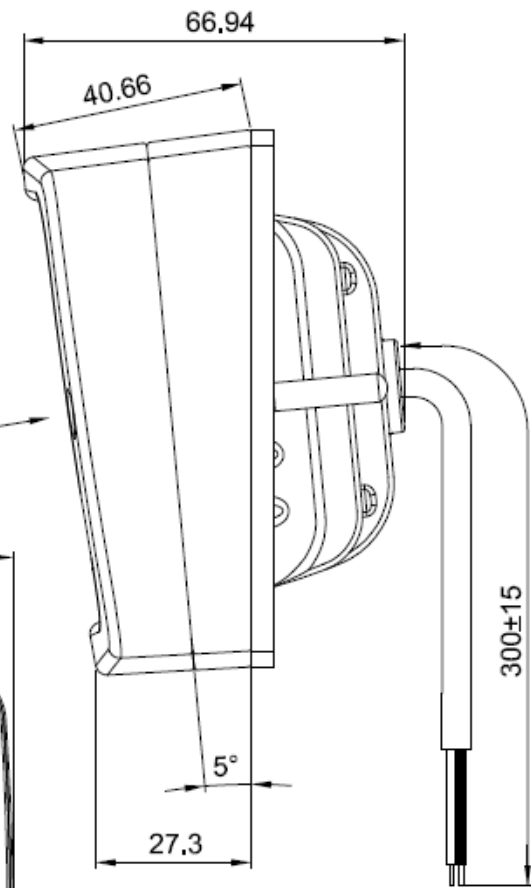


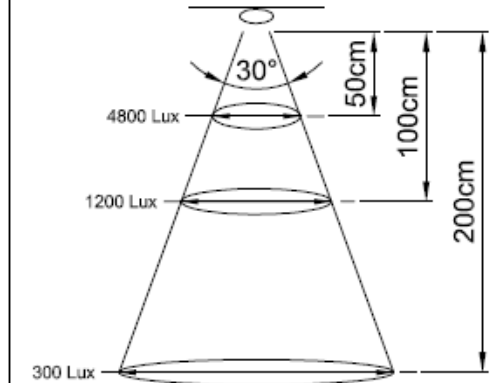
VIEW A



Black Wire (-)
Red Wire (+)

Rating	9-64V DC
Amps	1.09Amps@12V
Insulation Resistance	DC 500V 100M ohm mln.
Operating Temp	-20°~+60°C
Lamp Type	3W x 6 PCS(5000~6300K)
Type Approval	IP67 CE

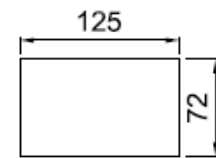
-Light Intensity of 1200 Lux at 100cm(Center)
-Beam Pattern: Narrow (FWHM:30°)



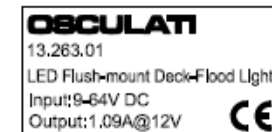
Material:

- Lens: PC, Clear
- Reflector: PC, Vapor Coated
- Housing: PC, White
- Heat Sink: Die Casting Aluminium, Black
- Cable: PU or TPE,UL 1430,18AWG, Black, 30cm

-Mounting Hole



LABEL



A3

Drawing	Check	Approval	SCI No.	Model Name	LED Flush-mount Deck-Flood Light
			Customer No.	Model No.	Rev.
Date	Name	Descriptions	Unit	mm	0

Date	Name	Descriptions	NO
------	------	--------------	----