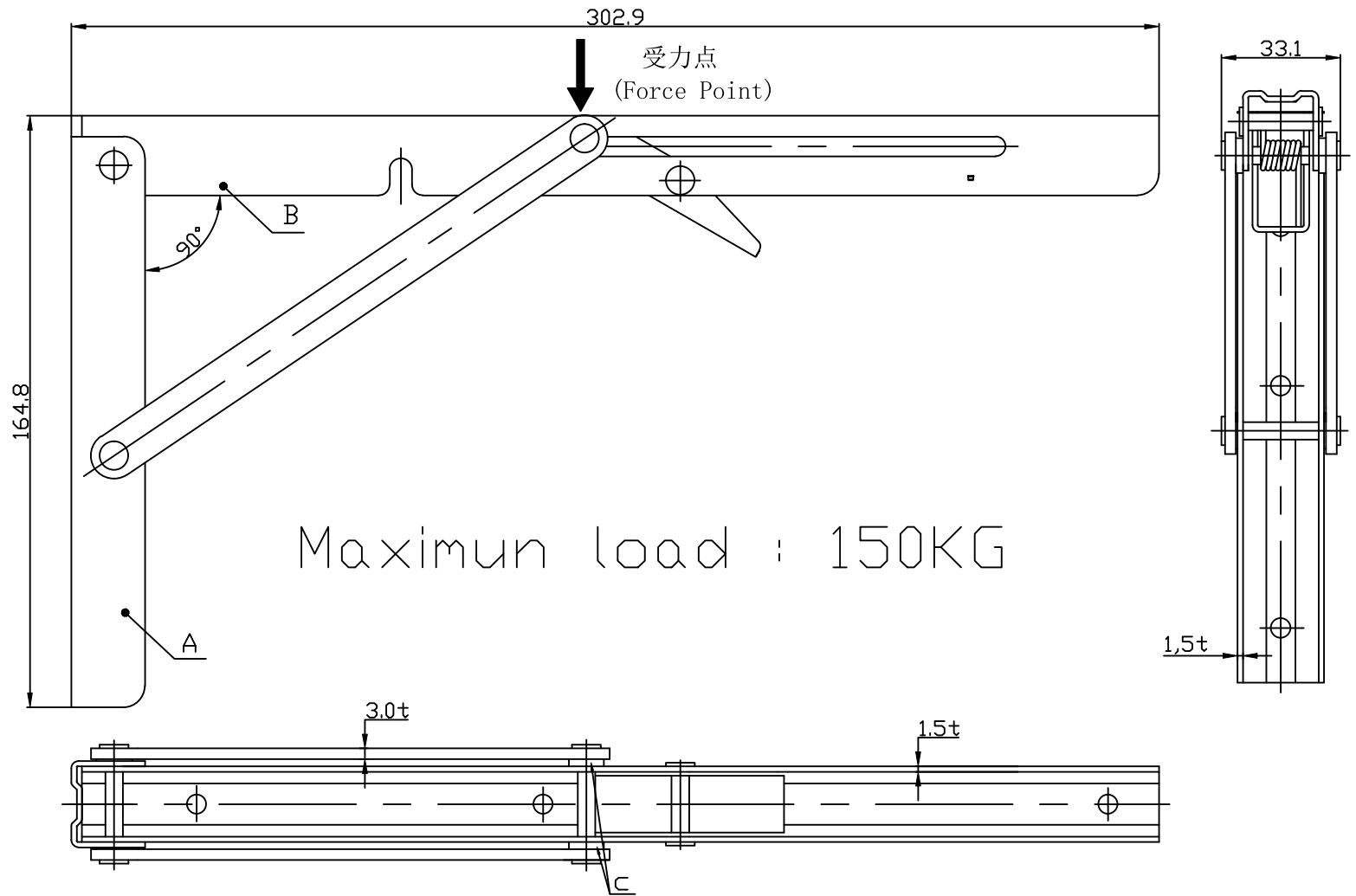


For your Approval



Maximum load : 150KG

Unless otherwise specified; tolerances are:

1. Wall Thickness =  $\pm 5\%$
2. Angles =  $\pm 2^\circ$
3. Profile dimensions fit : ISO JS13

★ INDICATES "CRITICAL TO QUALITY" DIMENSION  
 REMOVE BURRS AND SHARP CORNERS 0.10-0.25

Table Bracket

Drawn: Date: 16.11.08

Checked: Date:

M'TL: SUS316

Scale:

DWG. NO.:

Edition:

Approved: Date:

Weight: g

Dimensions: M/M

A0

Projection: A4H

Finish: ELECTROPOLISH

SHEET OF

Customer's No.: 48.615.00

Ecn	Revisions	Description	Date	Revised