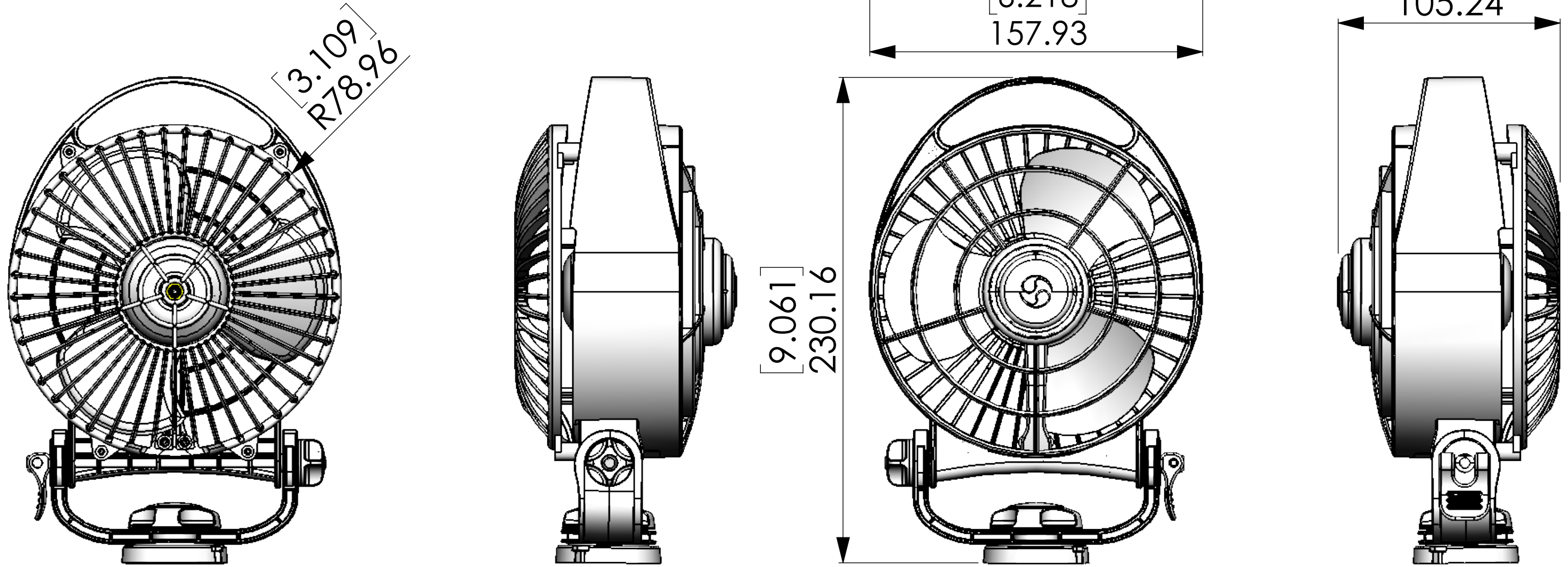


DRAWING NOT TO SCALE  
 DIMENSIONS ARE METRIC  
 CRITICAL DIMENSIONS ARE CIRCLED  
 IMPERIAL DIMENSIONS ARE IN PARENTHESES  
 TOLERANCES (UNLESS OTHERWISE SPECIFIED):

ANGULAR: +/- 0.5 deg.  
 X.X <0.5 mm.>  
 X.XX <0.25 mm.>  
 X.XXX <0.13 mm.>

NOTES:

**748CAWBX-REV.09**  
**748CABBX-REV.10**  
**748CA24WBX-REV.09**  
**748CA24BBX-REV.11**



PROPRIETARY AND CONFIDENTIAL  
 THE INFORMATION CONTAINED IN THIS  
 DRAWING IS THE SOLE PROPERTY OF  
**CAFRAMO LIMITED.**  
 ANY REPRODUCTION IN PART OR AS A  
 WHOLE WITHOUT THE WRITTEN  
 PERMISSION OF  
**CAFRAMO LIMITED** IS PROHIBITED.

REV.	DESCRIPTION	DATE	APPROVED

DRAWN BY:	MP	2018-04-09
REQUESTED BY:	DM	2018-03-21
AGENCY:	MATERIAL:	
WEIGHT:	FINISH:	

**Caframo**  
  
 DWG. DESCRIPTION: BORA  
 GENERAL ASSEMBLY  
 DWG#: **748GA** PAGE 2 OF 9

SEE PAGE ONE

SEE PAGE ONE