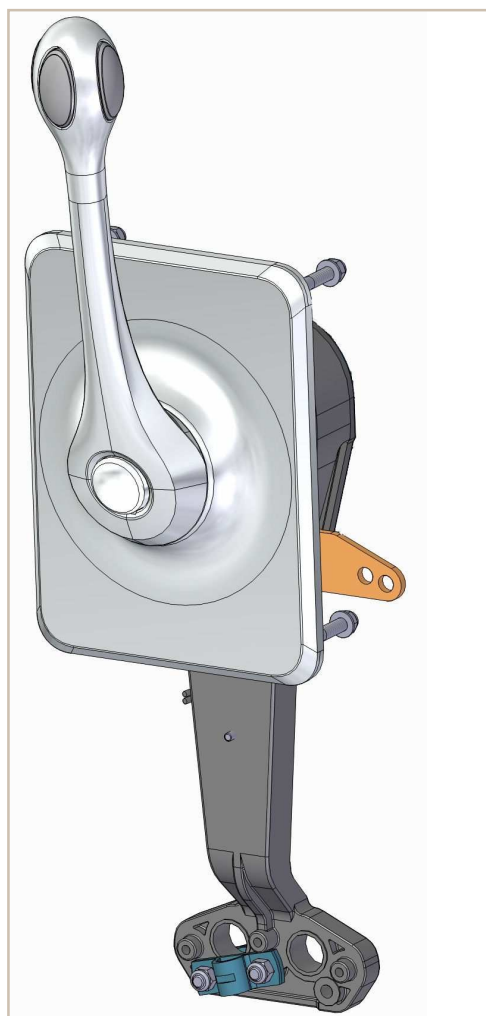


Installation and maintenance manual

SINGLE LEVER CONTROL



CE

B400



ULTRAFLEX

ENGLISH





Dear Customer,

Thank you for choosing an **ULTRAFLEX** product.

ULTRAFLEX has been making steering and control systems for pleasure and working craft for many years. **ULTRAFLEX** has always been synonymous with reliability and safety.

All **ULTRAFLEX** products are designed and built to provide the best possible performance for the purpose for which they were designed.

To protect your safety and maintain top quality, **ULTRAFLEX** guarantees its products only if they are used with original parts (refer to "Application Spare Parts" annex).

ULTRAFLEX and **UFLEX**'s Quality Management Systems are CISQ-IQNet certified by RINA, the Italian Naval Registry, in accordance with standard UNI ES ISO 9001:2008. **ULTRAFLEX** Certificate no. 6669/02/S (formerly 420/96). **UFLEX** Certificate no. 8875/03/S.

The Quality System gets all company resources and processes involved, starting with design, in order to:

- provide customers with a guarantee of product quality;
- identify actions for maintaining and improving quality standards with time;
- continually improve the efficacy and efficiency of processes in order to respond to the demands of the market and improve customer satisfaction;
- ensure compliance with the requirements of directive 94/25 EC, standard ISO 10592 and ABYC (American Boat Yacht Council) standards.



"With more than 70 years of experience in boatbuilding, **ULTRAFLEX** is a world leader in the production of mechanical, hydraulic and electronic steering systems, control systems and steering wheels for motorboats for pleasure, fishing or working uses, of all sizes and with all types of engines.

The reliability of our products and our pre- and post-sales service, the quality of our company's organisation and use of human resources and our ongoing investment in research and development are key factors in explaining our products' growing success all over the world".

ULTRAFLEX S.p.A.

16015 Casella (Genova) Italia - Via Crose, 2

TABLE OF CONTENTS



Use of this manual and symbols 4
 Note 5
 Warranty 5

SECTION 1 - PRODUCT DESCRIPTION



1.1 Product description and recommendations for use 6
 1.2 Dimensions 6

SECTION 2 - TRANSPORTATION



2.1 General information 7
 2.2 Package contents 7

SECTION 3 - INSTALLATION



3.1 Tools required 8
 3.2 Installation of the control box on the bulkhead 8
 3.2.1 Installation from the inside of the bulkhead 8
 3.2.2 Installation from outside the bulkhead 9
 3.3 Installation of the neutral safety switch X41 (optional) 11
 3.4 Assembly of the shift cable 11
 3.4.1 Connecting the shift cable to the frame 12
 3.4.2 Connecting the shift cable to the rocker arm 12
 3.5 Assembly of the throttle cable 13
 3.5.1 Connecting throttle cable in push configuration 13
 3.5.2 Connecting throttle cable in pull configuration 14
 3.5.3 Connecting the throttle cable to the rocker arm 14
 3.6 Assembling the lever 15
 3.7 Adjusting the clutch 15

SECTION 4 - USING THE LEVER



4.1 Using the lever 16
 4.2 Accelerating in neutral 16

SECTION 5 - SAFETY WARNINGS



5.1 Safety during installation and use 17
 5.2 Clothing 17

SECTION 6 - MAINTENANCE



6.1 Ordinary maintenance 18
 6.2 Special maintenance 18

SECTION 7 - DISMANTLING












7.1 Dismantling 19

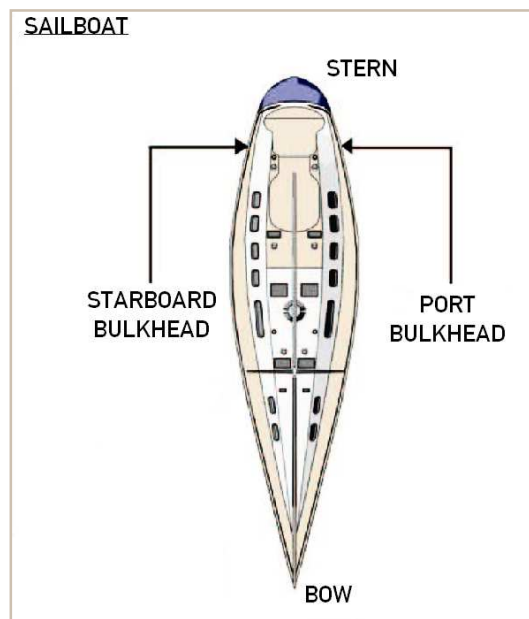
USE OF THIS MANUAL AND SYMBOLS

THE INSTALLATION AND MAINTENANCE MANUAL is the document accompanying the product from sale to replacement and disposal, and should be considered an integral part of the product. Read the manual before undertaking ANY ACTIVITY involving the product, including movement and unloading from the vehicle on which it is delivered.

In order to protect the user's safety and guarantee correct functioning of the product, this manual uses the symbols described below.

ENGLISH

 DANGER		Immediate damage CAUSING serious injury or death.
 IMPORTANT		Damage or unsafe practices which COULD lead to serious injury or death.
 WARNING		Damage or unsafe practices which COULD lead to minor injury or damage to the product or to property.
NOTE		Information considered important for adequate installation and maintenance which cannot cause damage.
		Operations which should be performed by qualified or specialized personnel to avoid risks are identified by the symbol shown here. Provide the personnel who will be installing the product with appropriate training and make sure that they understand and implement the instructions provided.



NOTE

This installation and maintenance manual constitutes an integral part of the product and must be made easily accessible for personnel using the product and performing maintenance work on it.

ULTRAFLEX shall not be held liable for any inaccuracies due to printing errors contained in the manual. Without altering the basic features of the product described, **ULTRAFLEX** reserves the right to make any changes to descriptions, details and illustrations that it may consider appropriate for its improvement or for manufacturing or commercial reasons at any time, without being required to update this publication immediately.

ALL RIGHTS RESERVED. Rights to publication, trademarks, logos and photographs of **ULTRAFLEX** products present in this manual are the property of **ULTRAFLEX** and may not be reproduced in full or in part. Great care has been taken to collect and verify documentation to make this manual as complete and easy to understand as possible. None of the information contained in this publication may be interpreted as a guarantee or an express or implicit condition – including, but not limited to, the guarantee of suitability for a particular purpose. None of the information contained in this publication may be interpreted as a change to or assertion of the terms of any contract of purchase.

IMPORTANT

The product must be installed by experienced personnel to ensure correct functioning of the product and its components. In the event of breakage of components or malfunctioning, contact specialized personnel or our Technical Assistance Service.

TECHNICAL ASSISTANCE SERVICE

UFLEX S.r.l. Via Milite Ignoto, 8A
16012 Busalla (GE)-Italia
Tel: +39.010.962.0239 (Italy)
Tel: +39.010.962.0244 (International)
Fax: +39.010.962
Email: uf@ultraflexgroup.it
www.ultraflexgroup.it

North - South - Central America:
UFLEX USA
6442 Parkland Drive
Sarasota, FL 34243
Tel: +1.941.351.2628
Fax: +1.941.360.9171
Email: uflex@uflexusa.com
www.uflexusa.com

WARRANTY

ULTRAFLEX warrants that its products are built according to the standards of good workmanship and are free of defects in materials or workmanship.


This warranty is valid for two years starting on the date of manufacture, with the exception of cases in which products are installed and used on working vessels or on vessels for commercial use, in which case the guarantee is limited to 1 year from the date of manufacture.

This warranty is limited to free replacement or repair of the item, which must be returned carriage paid, provided we find it to be effectively defective in materials and/or workmanship.

The warranty does not cover any direct or indirect damages. The warranty specifically does not cover, and we shall not be held liable for (except for replacement or repair of defective items under the terms and conditions set forth above), malfunctioning of our products if their failure or poor functioning is attributable to incorrect installation or to negligent or improper use.

This warranty does not cover products installed on racing boats or used in a competitive context. The descriptions and illustrations in this manual are indicative only.

Please contact our Assistance Service for more detailed information.

The components of **ULTRAFLEX** steering and control systems are marked  as required by directive 94/25/EC and conform to ABYC standards (U.S.A.).

Note that on EC marked vessels it is obligatory to install steering and control systems with EC marked components. (See Art. 3 and Art. 5 of directive 94/25/EC.) Note that the **ULTRAFLEX** warranty shall be automatically forfeited if any **ULTRAFLEX** components are installed in a steering and control system along with products of other brands.



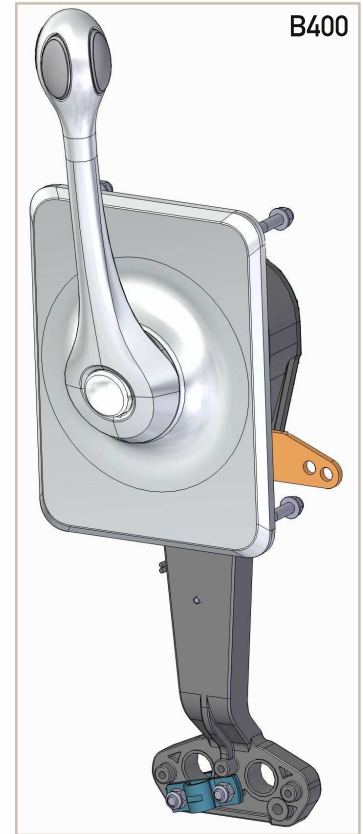
1 PRODUCT DESCRIPTION

1.1 Product description and recommendations for use

The single lever control is assembled on the starboard or port bulkhead closest to the vessel's helm. The lever has an adjustable clutch and a push-in button for throttle operation in neutral.

The B400 single lever control may use the following **ULTRAFLEX** cables:

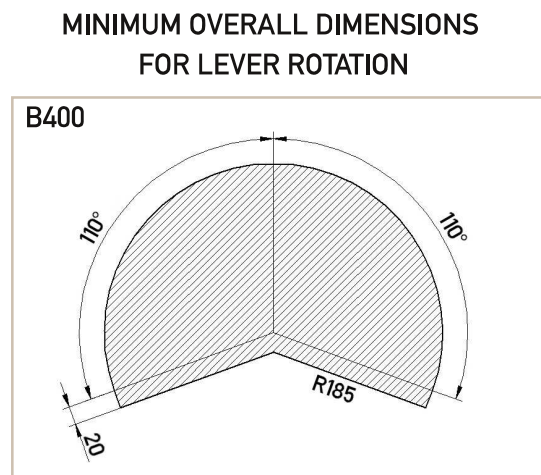
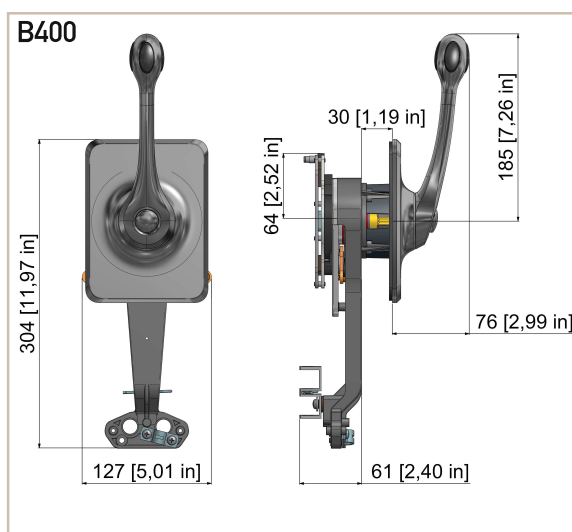
- C2 – C8 – MACHZero no adaptation kit required;



ENGLISH

1.2 Dimensions

The figure below shows the dimensions of the B400 single-lever command.



NOTE

Make sure that the lever can turn freely and its travel is not blocked by obstacles on the bulkhead.



2 TRANSPORTATION

2.1 General information

The product and its packaging weigh about 2.5 Kg (5.5 pounds) and can therefore be moved by hand.

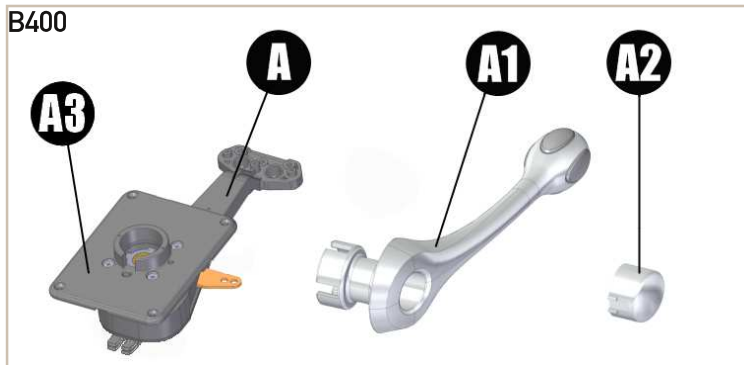
⚠ IMPORTANT

Personnel handling the load must work with safety gloves and footwear.

2.2 Package contents

Before using the device, check that it has not suffered damage during transportation or storage. Also check that all the components supplied with it are contained in the package (refer to list). If you identify any damage, notify the carrier and your supplier.

Contents of the control system package:

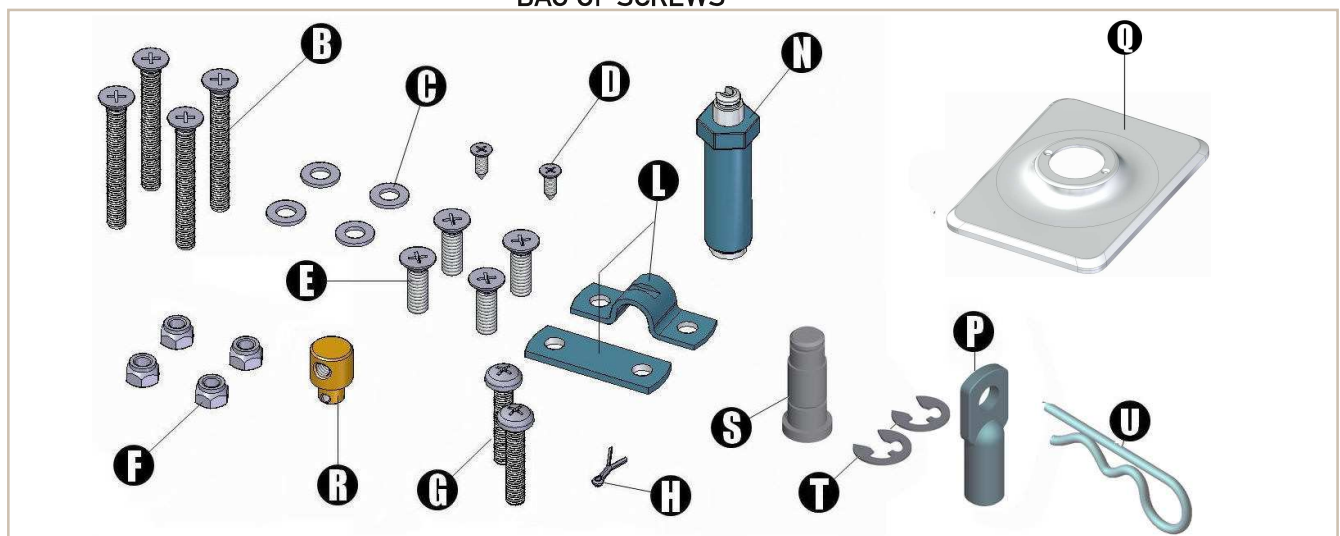


RIF	COMPONENTE
A	control box
A1	lever
A2	push-in button
A3	flange

RIF	Sacchetto viterie
B	4 M5x40 screws
C	4 washers
D	2 TS 2,9 screws
E	4 M5x16 screws
F	4 M5 self-locking nuts
G	2 M5x16 screws with self locking insert
H	Cotter pin
L	Fixing plates
N	Hollow screw with rod
P	Terminale cavo acceleratore
Q	Screw cover flange
R	Cable terminal
S	Cable pin
T	2 Seeger
U	Cotter pin spring

ENGLISH

BAG OF SCREWS



⚠ WARNING

Dispose of packaging in accordance with the law.



3 INSTALLATION

3.1 Tools required



Phillips screwdriver (ø6) and flat-tip screwdriver (ø2)



Pliers



14 mm tube wrench



Drill (5.5 mm tip)

ENGLISH

3.2 Installation of the control box on the bulkhead



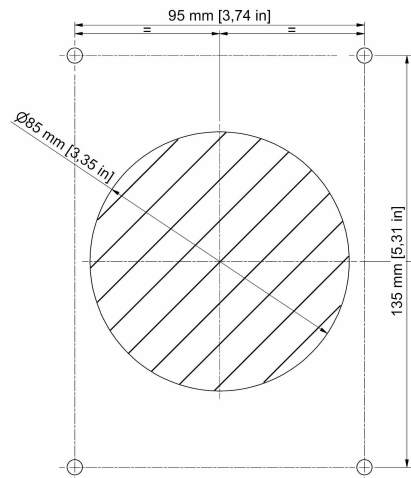
3.2.1 Installation from the inside of the bulkhead

- 1 Refer to the footprint dimensions given in point 1.2 to check that the box can effectively be installed in the desired position. Assemble the mechanism, with its connected cables, from inside the vessel's bulkhead.

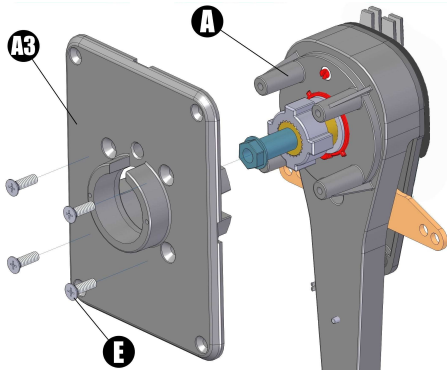
! IMPORTANT

Make sure the cables are not bent too tightly (minimum radius: 200 mm – 8"). We recommend use of **ULTRAFLEX** cables.

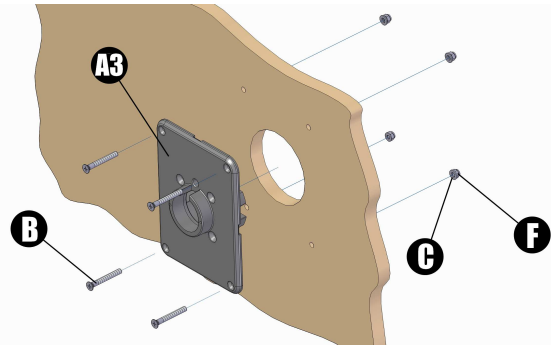
- 2 After determining the appropriate location, drill the holes required to assemble the control box using the template provided.



3 Remove the 4 locking screws (E) and the flange (A3) from the control box (A).



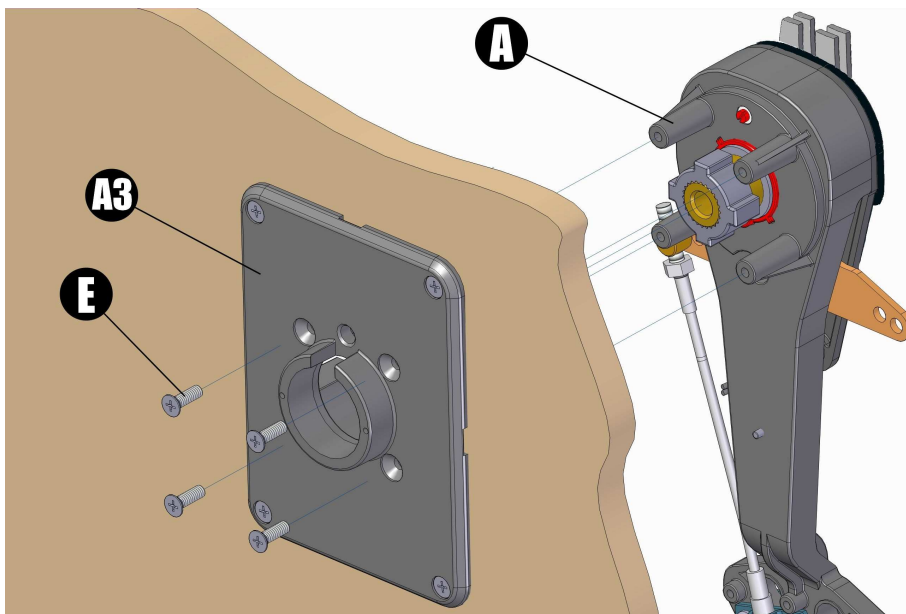
4 Fix the flange (A3) in place using the screws (B), washers (C) and nuts (F).



NOTE

The throttle and shift cables must be connected to the main frame and rocker arm according to the instructions in section 3.4 and 3.5.

5 Anchor the control box mechanism (A) to the flange (A3) with the screws (E).



3.2.2 Installation from outside the bulkhead

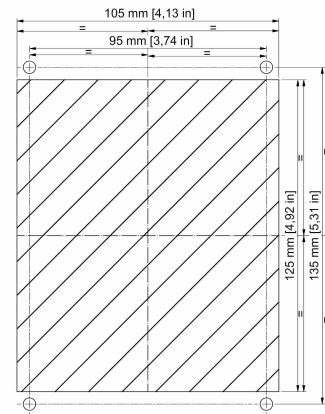
⚠ IMPORTANT

Make sure the cables are not bent too tightly (minimum radius: 200 mm – 8”). We recommend use of **ULTRAFLEX** cables.

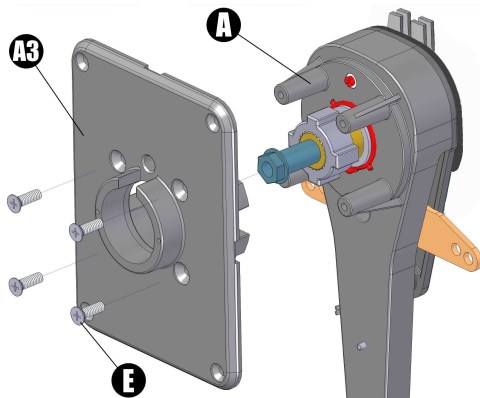
1 Refer to the footprint dimensions given in point 1.2 to check that the control can effectively be installed in the desired position.



- 2 After determining the appropriate location, drill the holes required to assemble the control box using the template provided.

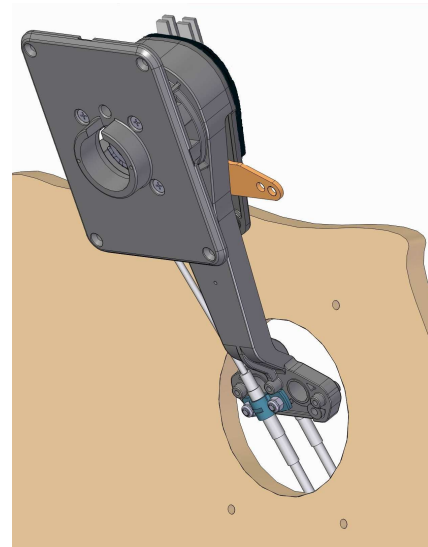


- 3 Unlock the 4 anchoring screws (E) on the control box (A).



Insert the flange (A3) again on mechanism (A) and partially tighten the screws (E) allowing backlash between the flange and the mechanism.

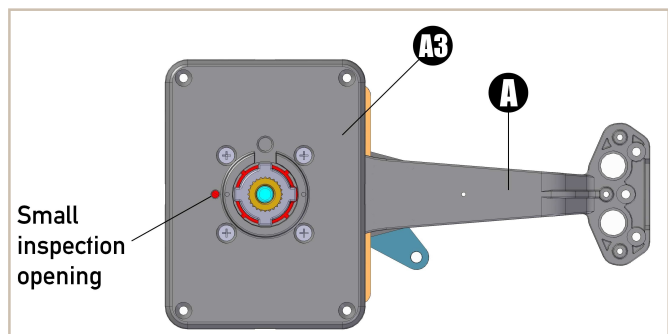
- 4 Pass the throttle and shift cables through the whole in the bulkhead and connect them with the frame of the mechanism and the rocker arms as described in points 3.4 and 3.5.



- 5 Insert the lever mechanism in the bulkhead, being careful not to force cables or rocker arms against any obstacles that may be present. Tighten the screws (E) anchoring the internal flange to the frame, and fix the flange inside the bulkhead using 4 self-threading screws with flared heads (the diameter of the flared holes is 5.1 mm).

⚠ IMPORTANT

You may assemble the mechanism in horizontal position as shown in the figure, by rotating the internal flange (A3) so that the small inspection hole is aligned with the clutch adjusting screw .





3.3 Installation of the neutral safety switch X41 (optional)

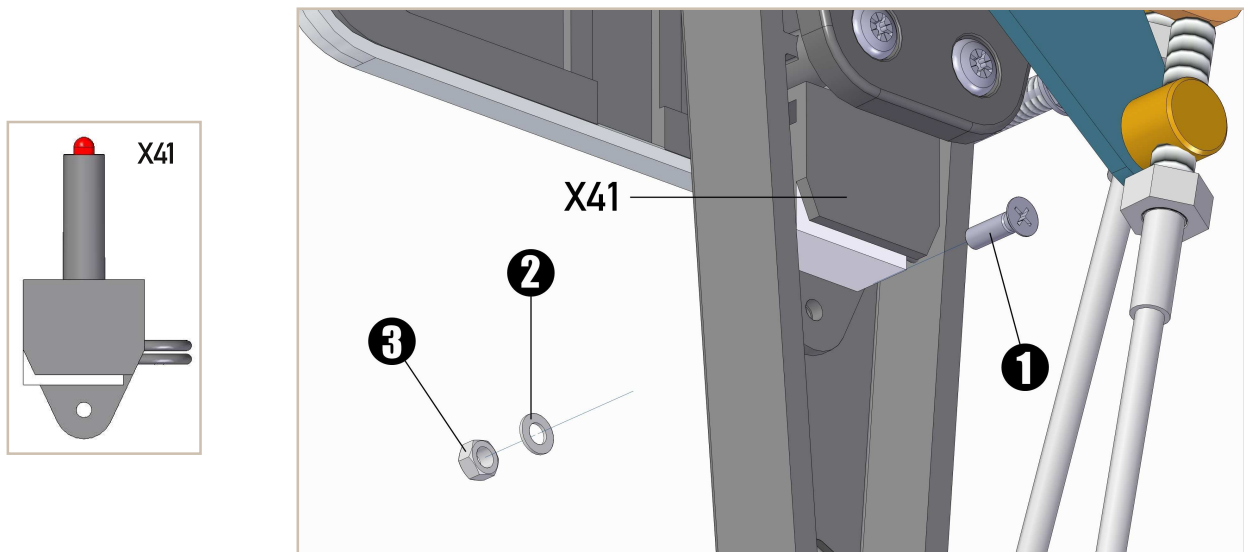
This optional device allows the engine to be started up only if the shift is in the “neutral” position, preventing undesired movement of the vessel.

Proceed as follows to assemble:

Fix the safety switch X41 in place with the screw (1), washer (2) and nut (3) (included in kit X41), as shown in the figure.

NOTE

The screw head must rest against the surface of the switch.



ENGLISH



3.4 Assembly of shift cable

! IMPORTANT

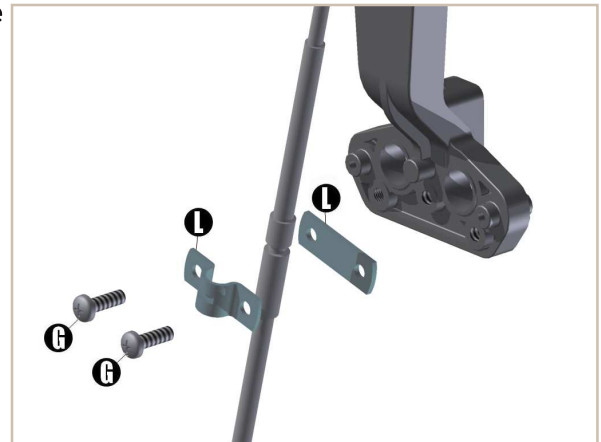
Before beginning the installation procedure, make sure that the inverter rocker arm is in the neutral (horizontal) position and the accelerator is in the minimum position (as shown in the figure).

Identify the side of the frame on which you will install the inverter cable and the accelerator if you need to pull or push the cable.



3.4.1 Connecting the shift cable to the frame

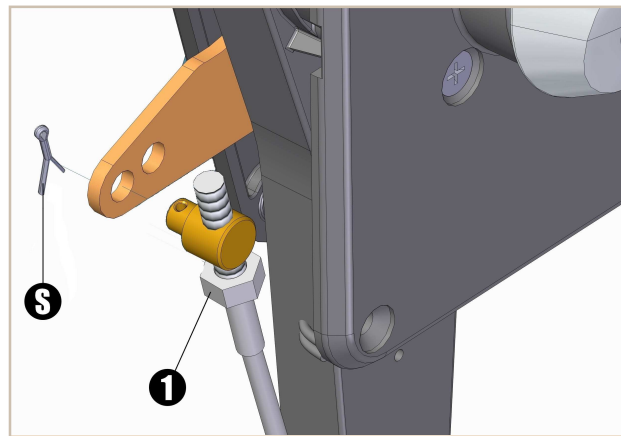
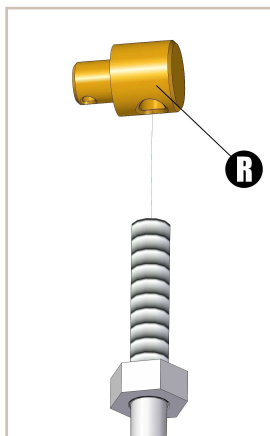
Fix the shift cable end conduit fitting to the frame using the plates (L) and support (L) and tighten with screws (G)



3.4.2 Connecting the shift cable to the rocker arm

Screw the cable terminal (R) onto the thread at the head of the shift cable.

Close or extend the cable to insert the terminal in the hole in the rocker arm. Check that the cable travels as far as necessary. If its travel is correct, tighten the counter-nut (1) and insert the cotter pin (S) in the cable terminal to prevent it from coming off the rocker arm. If the travel is not as desired, screw the terminal in or out on the threading at the head of the cable to obtain finer adjustment, and then tighten the counter-nut (1) and insert the cotter pin provided (S) in the cable terminal.



⚠ IMPORTANT

- Proper functioning of the control depends on precise regulation of the shift gear travel.

⚠ IMPORTANT

In no case may the travel of the single-lever control (67 mm (2.64") on the internal hole; 78 mm (3.07") on the external hole of the rocker arm) be greater than the travel measured on the engine lever. This could damage both the cable and the control.

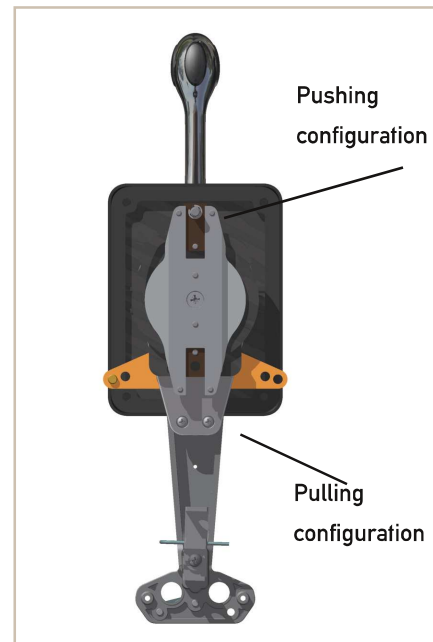
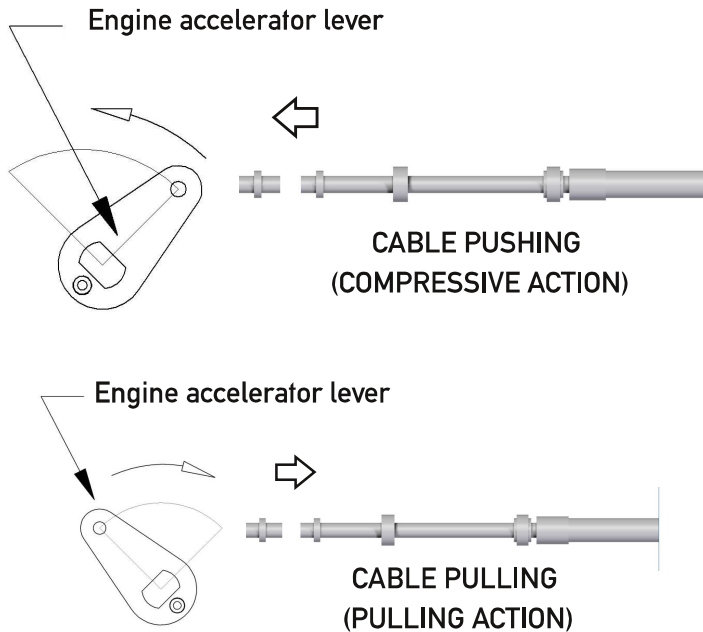
- The cable sheaths coming out of the lower part of the control may be bundled in a group or anchored at a minimum distance of 500 mm (19.7") from the control.





3.5 Connecting throttle cable

Depending on vessel's engine it can be necessary to install the cable in push or pull configuration. If engine's rocker arm needs to be pushed to increase the speed, the cable must be installed in push configuration ; if the rocker arm needs to be pulled, the cable must be installed in pull configuration .(see pictures)



ENGLISH

3.5.1 Connecting throttle cable in push configuration

If the vessel's engine throttle lever needs to be pushed (compressing action) to increase the boat's speed, the cable fixing pin has to be connected to the slay on the upper part of the throttle rocker arm (see picture)

1 Insert pin (S) in the hole of the slay in the upper part of throttle rocker arm as shown in picture. Fix pin (S) in position with seeger (T).

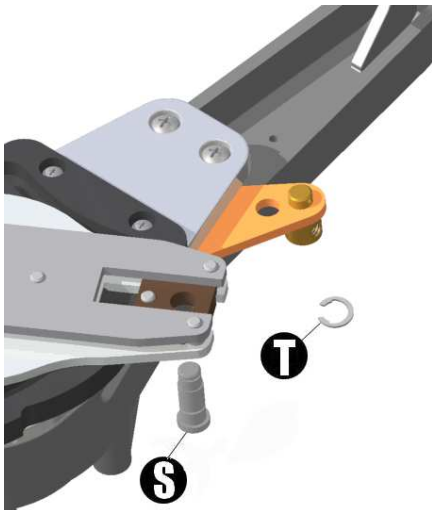
2 Insert the cable in the end conduit fixing flange. Take care to rotate it in direction of the main body of the control as shown in picture. Fix it with cutter pin (U) in the seat of the end conduit fixing flange.



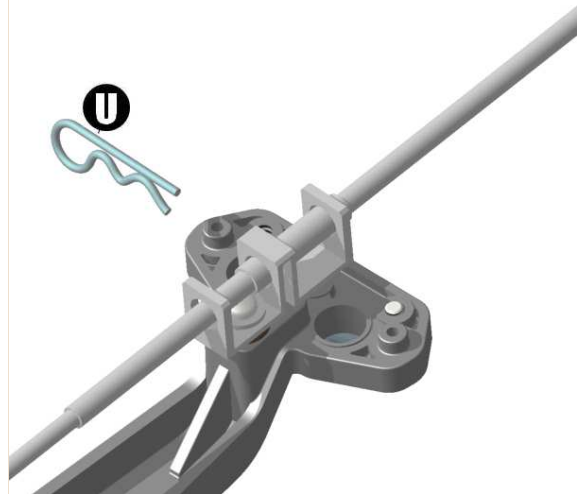
5.3.2 Connecting throttle cable in pull configuration

If the vessel's engine throttle lever needs to be pulled (pulling action) to increase the boat's speed, the cable fixing pin has to be connected to the slay on the lower part of the throttle rocker arm (see picture)

- 1 Rotate the rocker arm for at least 45° in order to force the slay in a convenient position for inserting the pin (see picture). Insert pin (S) in the slay on the lower part of the rocker arm (see picture) and fix it with seeger (T)



- 2 Insert the cable in the end conduit fixing flange. Take care to rotate it facing outward as shown in picture. Fix it with cutter pin (U) in the seat of the end conduit fixing flange.



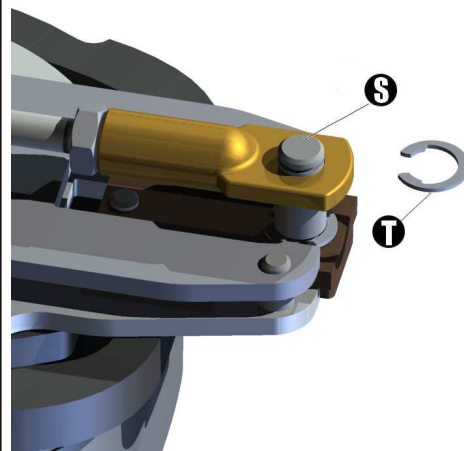
ENGLISH

3.5.3 Connecting the throttle cable to the rocker arm

- 1 Screw the cable terminal (P) onto the thread at the head of the throttle cable.



- 2 Insert the cable terminal (P) on pin (S) and fix it with seeger (T).



! IMPORTANT

- Proper functioning of the control depends on precise regulation of the throttle travel.





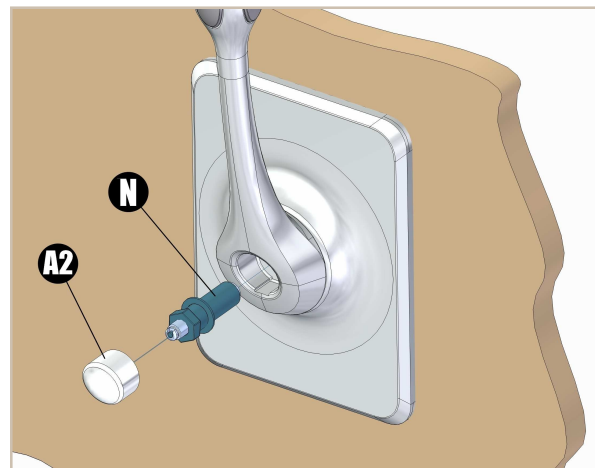
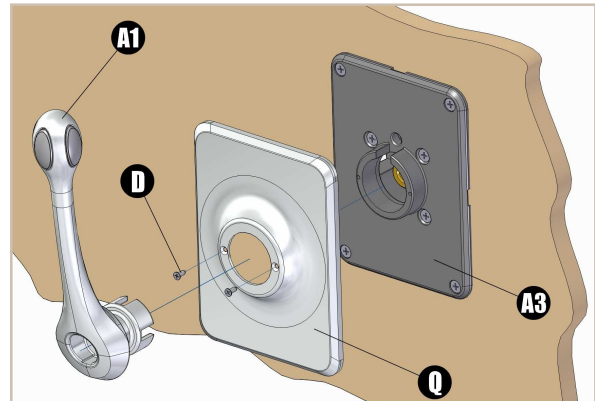
3.6 Assembling the lever unit

Fix the external flange (Q) with the screws (D) to the flange (A3).

Insert the lever (A1).

Keep the lever in neutral position and insert it in the control box (A) on the drive shaft spline.

Tighten the screw (N) using the 14 mm tube wrench and insert the pushbutton (A2) in its housing in the lever hub (see figure).



NOTE

Press the push-in button at least 3 times to ensure proper anchorage.

ENGLISH

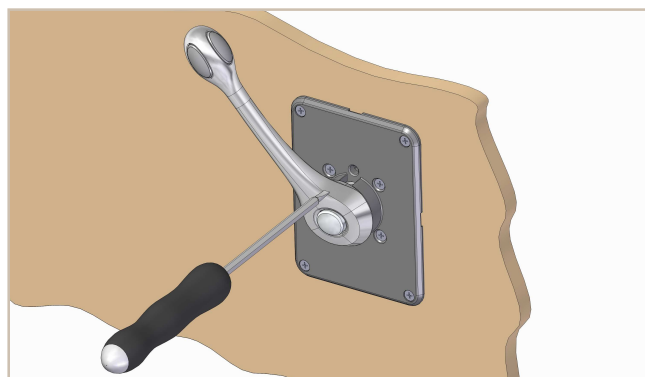


3.7 Adjusting the clutch

Turn the clutch control screw clockwise with a flat-tipped screwdriver to increase friction, anticlockwise to decrease it.

NOTE

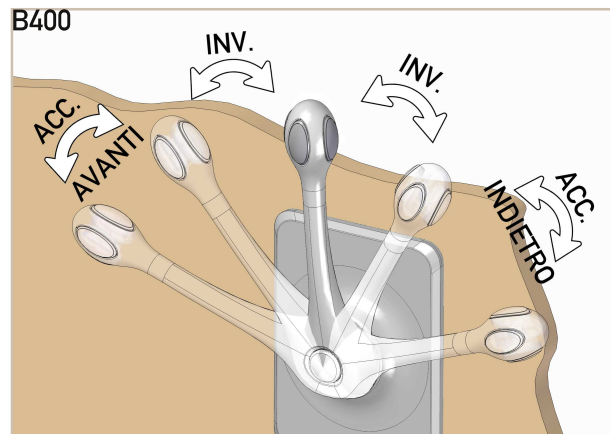
THE CLUTCH MUST ALWAYS BE ADJUSTED WITH THE ENGINE TURNED OFF AND THE LEVER IN ACCELERATED POSITION.



4 USING THE LEVER

4.1 Using the lever

The lever's travel is divided into two movements: in the first 30° phase the inverter is used; in the second 80° phase the accelerator is used. When the lever is moved forward the vessel moves forward, whereas when it is moved backward it proceeds in reverse.



ENGLISH

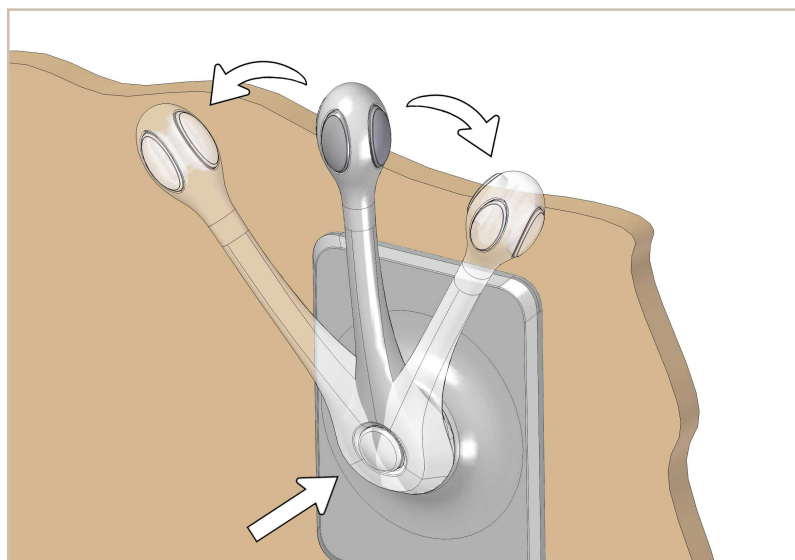
! DANGER

Make sure the lever is in the neutral position before starting the engine if the control does not have a neutral safety switch.

4.2 Accelerating in neutral

Press the central button and, while holding it down, turn the single lever clockwise or anticlockwise to obtain the desired acceleration.

Reposition the lever in neutral and the recall spring will bring the push-in button back to its initial position.



5 SAFETY WARNINGS

This section illustrates the safety regulations to be applied for proper use of the apparatus. Read this section very carefully and also read the manuals supplied with other components of the single lever control.

5.1 Safety during installation and use



OBLIGATORILY FOLLOW the precautions and safety criteria indicated below.

ULTRAFLEX shall not be held liable for the user's failure to observe these precautions and criteria and shall not be held liable for any negligence in use of the system.

DANGER

- NEVER PUT YOUR HANDS BETWEEN MOVING PARTS
- Do not deactivate safety devices or render them inoperative.
- Do not modify the system or add devices to it without written authorization or the intervention of an **ULTRAFLEX** technician describing the change made in the description of the work performed.
- Do not use the apparatus for any purpose other than its intended purpose as specified in the installation and maintenance manual.
- Do not allow untrained personnel to perform installation.

ENGLISH

IMPORTANT

- During installation of the system, take particular care to keep everything clean to ensure that no foreign bodies can get into the system. Even a tiny object can cause permanent damage which may not be immediately obvious.
- Avoid cable curve radiuses of $< 200\text{mm}$ (8").
- Do not let cables come into contact with sharp corners or edges.
- Do not let cables come into contact with heat sources.

5.2 Clothing

IMPORTANT

DO NOT wear necklaces, bracelets or any loose garments that could get caught in moving parts during installation, inspection or maintenance work.



6 MAINTENANCE

6.1 Ordinary maintenance



IMPORTANT

Failure to apply maintenance controls may result in loss of control when driving, which can result in damage to property and/or injury.

Maintenance requirements will vary depending on climate and frequency and type of use. Inspections must be conducted at least every two years by an experienced nautical mechanic.

Perform the following maintenance operations:

- Periodically wash components with fresh water and remove any salt deposits.
- Once a month, check all nuts holding the system in place and tighten if necessary.

DANGER

Loosening or separation of nuts holding the system in place can cause not only malfunctioning of the single lever control but damage or injury.

- Periodically check that there is no corrosion on metal parts of the cable terminals or abrasion on the sheath.
- Replace damaged parts that may compromise the integrity of the single lever control.

6.2 Special maintenance



Technical assistance

For any information or assistance with particular applications, you are invited to contact our technical assistance service (refer to "Note").



7 DISMANTLING

7.1 Dismantling

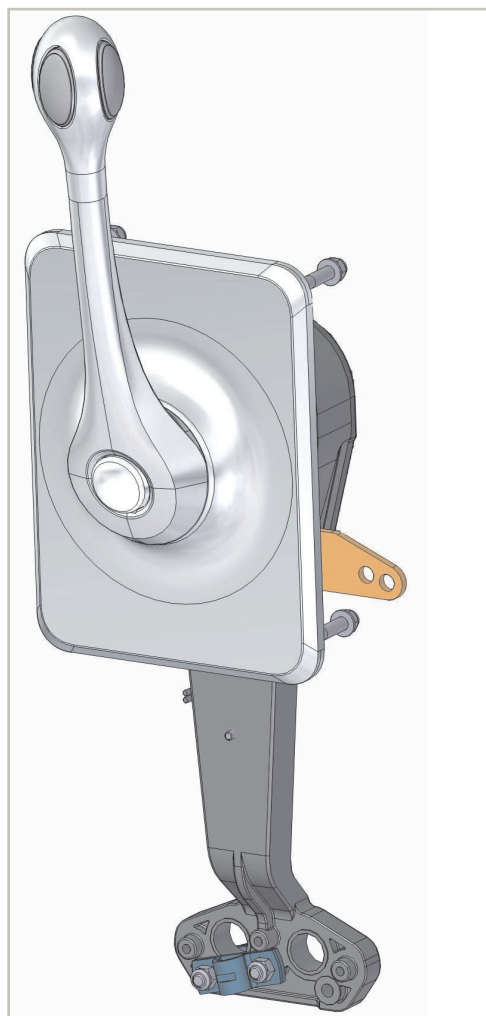
If you intend not to use the single lever control system any more, dispose of it in an environmentally sound way.

Sheaths, hoses and components made of plastic or other non-metallic materials must be dismantled and disposed of separately.



Manuale di installazione e manutenzione

COMANDO MONOLEVA



CE

ITALIANO

B400



ULTRAFLEX



ULTRAFLEX

Gentile Cliente,

La ringraziamo per aver scelto un prodotto **ULTRAFLEX**.

La **ULTRAFLEX** è da anni un punto di riferimento nei sistemi di guida nel settore della nautica da diporto e professionale.

Da sempre la produzione **ULTRAFLEX** è sinonimo di grande affidabilità e sicurezza.

Tutti i prodotti **ULTRAFLEX** sono progettati e prodotti per garantire sempre le prestazioni migliori, relativamente allo scopo per cui sono concepiti.

Per tutelare la Vostra sicurezza e per mantenere sempre un alto livello qualitativo **ULTRAFLEX** garantisce i propri prodotti solo se utilizzati con ricambi originali (vedi allegato "Application Spare Parts").

I Sistemi di Gestione Qualità **ULTRAFLEX** ed **UFLEX** sono certificati CISQ-IQNet dal RINA Registro Italiano Navale in conformità alla Norma UNI ES ISO 9001:2008. Certificato **ULTRAFLEX** n° 6669/02/S (già 420/96). Certificato **UFLEX** n° 8875/03/S.

Il sistema Qualità coinvolge tutte le risorse ed i processi aziendali a partire dalla progettazione per:

- garantire al cliente la qualità del prodotto;
- impostare le azioni per mantenere e migliorare nel tempo gli standard di qualità;
- perseguire un continuo miglioramento dell'efficacia e dell'efficienza dei processi per poter essere sempre in sintonia con le esigenze del mercato ed accrescere la soddisfazione dei Clienti;
- verificare la rispondenza ai requisiti imposti dalla direttiva 94/25 CE dalla norma ISO 10592 e dalle norme ABYC (American Boat Yacht Council).



"**ULTRAFLEX**, con più di 70 anni di esperienza nel settore nautico è oggi leader globale nella produzione di sistemi di guida meccanici, idraulici ed elettronici, scatole di comando e volanti per imbarcazioni a motore da diporto, da pesca o da lavoro, di ogni dimensione e tipo di motorizzazione.

L'affidabilità dei nostri prodotti ed il servizio ante e post vendita, la qualità dell'organizzazione aziendale e delle risorse umane insieme agli investimenti continui in ricerca e sviluppo sono fattori determinanti per spiegare il successo crescente dei nostri prodotti ovunque nel mondo".

ULTRAFLEX S.p.A.

16015 Casella (Genova) Italia - Via Crose, 2

INDICE GENERALE

Usò del manuale e simbologia impiegata	4
Lettera informativa	5
Garanzia	5

SEZIONE 1 - DESCRIZIONE DEL PRODOTTO

1.1 Descrizione del prodotto e raccomandazioni sull'utilizzo	6
1.2 Dimensioni	6

SEZIONE 2 - TRASPORTO

2.1 Avvertenze generali	7
2.2 Contenuto imballo	7

SEZIONE 3 - INSTALLAZIONE

3.1 Utensili necessari	8
3.2 Installazione a parafia della scatola di comando	8
3.2.1 Installazione dall'interno parafia	8
3.2.2 Inserimento dall'esterno parafia	9
3.3 Installazione del neutral safety switch X41 (opzionale)	11
3.4 Montaggio dei cavi C2 – C8 – MACHZero	12
3.4.1 Collegamento del cavo invertitore e acceleratore al telaio	13
3.4.2 Collegamento del cavo invertitore e acceleratore ai bilancieri	14
3.4.3 Inversione del senso di comando acceleratore	14
3.5 Installazione altri tipi di cavo (C5, C14...)	14
3.6 Montaggio del gruppo leva	15
3.7 Regolazione della frizione	15

SEZIONE 4 - USO DELLA LEVA

4.1 Uso del la leva	16
4.2 Accelerazione in folle	16

SEZIONE 5 - AVVERTENZE DI SICUREZZA

5.1 Sicurezza durante l'installazione e uso	17
5.2 Abbigliamento	17

SEZIONE 6 - MANUTENZIONE

6.1 Manutenzione ordinaria	18
6.2 Manutenzione straordinaria	18

SEZIONE 7 - SMANTELLAMENTO

7.1 Smantellamento	19
--------------------------	----

USO DEL MANUALE E SIMBOLOGIA IMPIEGATA

IL MANUALE DI INSTALLAZIONE E MANUTENZIONE è il documento che accompagna il prodotto dal momento della sua vendita fino alla sua sostituzione e smaltimento. Risulta cioè essere parte integrante dello stesso. È richiesta la lettura del manuale prima che venga intrapresa QUALSIASI ATTIVITÀ che coinvolga il prodotto compresa la movimentazione e lo scarico dello stesso dal mezzo di trasporto.

Al fine di tutelare la sicurezza dell'utilizzatore e per garantire il corretto funzionamento del prodotto nel presente manuale è stata adottata la simbologia di seguito descritta.

ITALIANO


PERICOLO


Danni immediati che CAUSANO ferite gravi alla persona o che portano alla morte.


ATTENZIONE


Danni o pratiche non sicure che POTREBBERO causare ferite gravi alla persona o portare alla morte.


AVVERTENZA


Danni o pratiche non sicure che POTREBBERO causare ferite minori o causare danni al prodotto o alla proprietà.

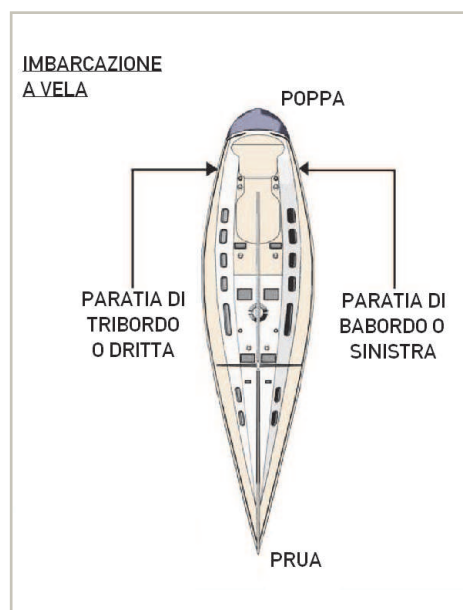
NOTA


Informazione ritenuta importante per una installazione adeguata e per la manutenzione che non è causa di danni.



Le operazioni per la cui esecuzione si richiede, onde evitare possibili rischi, personale qualificato o specializzato sono evidenziate con il simbolo indicato a lato.

Si raccomanda di formare il personale destinato all'installazione del prodotto e di verificare che quanto previsto sia compreso ed attuato.



LETTERA INFORMATIVA

Il presente manuale di installazione e manutenzione costituisce parte integrante del prodotto e deve essere facilmente reperibile dal personale addetto all'uso e alla manutenzione dello stesso.

La **ULTRAFLEX** declina ogni responsabilità per eventuali inesattezze dovute ad errori di stampa, contenute nel manuale. Ferme restando le caratteristiche essenziali del prodotto descritto, la **ULTRAFLEX** si riserva il diritto di apportare eventuali modifiche di descrizioni, dettagli ed illustrazioni, che riterrà opportuno per il miglioramento dello stesso, o per esigenze di carattere costruttivo o commerciale, in qualunque momento e senza impegnarsi ad aggiornare tempestivamente questa pubblicazione.

TUTTI I DIRITTI SONO RISERVATI. I diritti di pubblicazione, i marchi, le sigle e le fotografie dei prodotti **ULTRAFLEX** presenti in questo manuale sono di proprietà della **ULTRAFLEX** che ne vieta qualsiasi riproduzione anche parziale. Ogni cura è stata posta nella raccolta e nella verifica della documentazione per rendere questo manuale il più completo e comprensibile possibile. Nulla di quanto contenuto nella presente pubblicazione può essere interpretato come garanzia o condizione espressa o implicita – inclusa, non in via limitativa, la garanzia di idoneità per un particolare scopo. Nulla di quanto contenuto nella presente pubblicazione può inoltre essere interpretato come modifica o asserzione dei termini di qualsivoglia contratto di acquisto.

ATTENZIONE

Al fine di assicurare il corretto funzionamento del prodotto e dei suoi componenti, lo stesso deve essere installato da personale esperto. In caso di rotture di parti componenti o mal funzionamento, rivolgersi al personale specializzato o contattare il nostro Servizio Assistenza Tecnica.

SERVIZIO ASSISTENZA TECNICA

UFLEX S.r.l.

Via Milite Ignoto, 8A
16012 Busalla (GE)-Italia
Tel: +39.010.962.0239 (Italia)
Tel: +39.010.962.0244 (Estero)
Fax: +39.010.962
Email: uf@ultraflexgroup.it
www.ultraflexgroup.it

Nord - Sud - Centro America:

UFLEX USA

6442 Parkland Drive
Sarasota, FL 34243
Tel: +1.941.351.2628
Fax: +1.941.360.9171
Email: uflex@uflexusa.com
www.uflexusa.com

GARANZIA

La **ULTRAFLEX** garantisce che i suoi prodotti sono costruiti a regola d'arte e che sono privi di difetti di fabbricazione e di materiali.


Questa garanzia è valida per un periodo di due anni decorrenti dalla data di fabbricazione dei prodotti ad eccezione dei casi in cui questi siano installati ed usati su barche da lavoro o comunque su barche ad utilizzo commerciale, nel qual caso la garanzia è limitata ad 1 anno dalla data di fabbricazione.

Questa garanzia è limitata alla sostituzione o riparazione gratuita del pezzo che, entro il termine suddetto, ci sarà restituito in porto franco e che rileveremo essere effettivamente difettoso nei materiali o/e nella fabbricazione.

È escluso dalla garanzia ogni e qualsiasi altro danno diretto o indiretto. In particolare, è escluso dalla garanzia e da ogni nostra responsabilità (tranne quella di sostituire o riparare, nei termini e condizioni suddette, i pezzi difettosi) il malfunzionamento dei nostri prodotti qualora il loro mancato o difettoso funzionamento sia attribuibile ad una errata installazione o ad uso negligente o improprio.

Questa garanzia non copre i prodotti installati su barche da corsa o utilizzate in contesti competitivi. Le descrizioni e le illustrazioni di questo manuale s'intendono fornite a titolo indicativo.

Per informazioni dettagliate si prega di contattare il nostro Servizio Assistenza.

I componenti dei sistemi di guida **ULTRAFLEX** sono marcati  come richiesto dalla direttiva 94/25/CE e sono conformi alla norme ABYC (U.S.A.).

Vi ricordiamo che sulle imbarcazioni marcate CE è obbligatorio installare sistemi di guida i cui componenti siano marcati CE. (Vedi Art. 3 e Art. 5 della direttiva 94/25/CE). Vi informiamo che la garanzia **ULTRAFLEX** decade automaticamente qualora alcuni componenti **ULTRAFLEX** siano installati in un sistema di guida insieme a prodotti di altre marche.



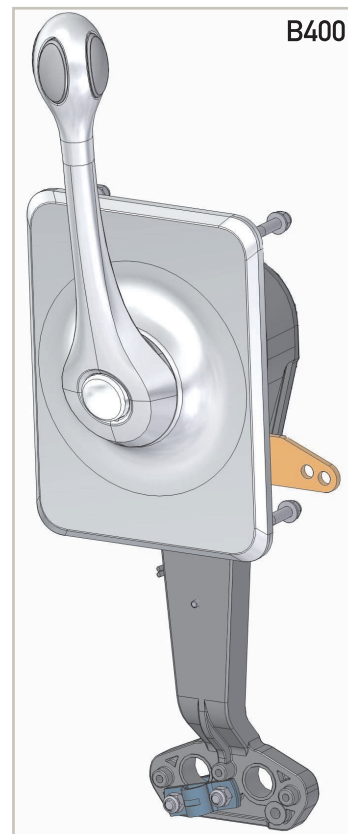
1 DESCRIZIONE DEL PRODOTTO

1.1 Descrizione del prodotto e raccomandazioni sull'utilizzo

Il comando, di tipo monoleva, va montato sulla paratia di dritta o di sinistra più vicina al posto di timoneria dell'imbarcazione. La leva dispone di frizione regolabile e di dispositivo a pulsante per azionare il gas con invertitore in folle.

Il comando monoleva B400 può utilizzare i seguenti cavi **ULTRAFLEX**:

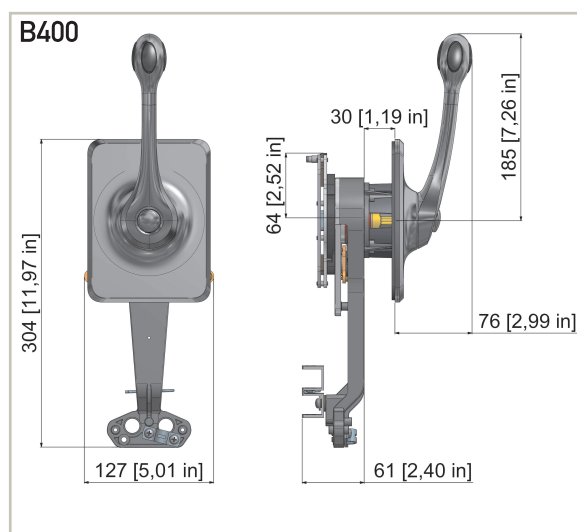
- C2 – C8 – MACHZero non occorre kit di adattamento



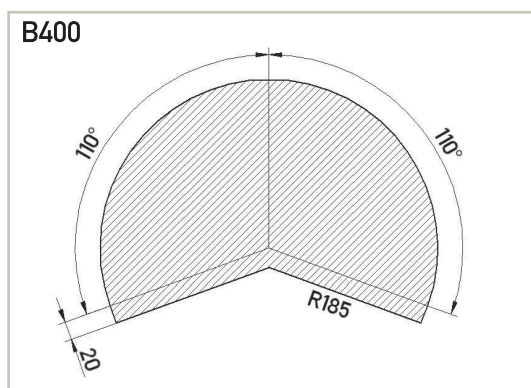
ITALIANO

1.2 Dimensioni

La figura seguente indica le dimensioni del comando monoleva B400.



DIMENSIONE D'INGOMBRO MINIME PER LA ROTAZIONE DELLA LEVA



NOTA

Assicurarsi che la leva possa ruotare liberamente e la sua corsa non sia impedita da ostacoli a paratia.



2 TRASPORTO

2.1 Avvertenze generali

Il peso del prodotto con il suo imballo è di circa 2,5 Kg (5.5 pounds) e quindi la sua movimentazione può essere effettuata manualmente.

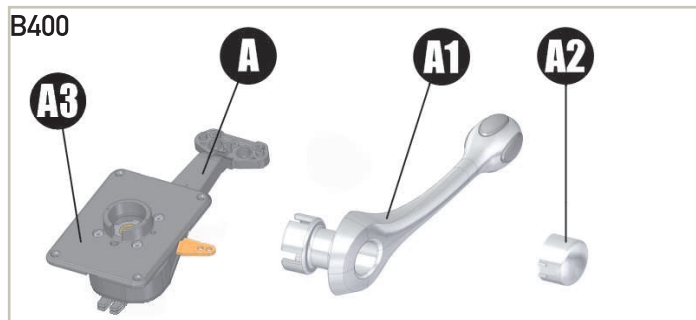
ATTENZIONE

Il personale addetto alla manipolazione del carico deve operare con guanti protettivi e scarpe antinfortunistica.

2.2 Contenuto imballo

Prima dell'utilizzo dell'apparecchiatura verificare che non abbia subito danneggiamenti dovuti al trasporto o alle condizioni di conservazione. Verificare inoltre che tutti i componenti forniti di serie siano contenuti nell'imballo (vedi elenco) in caso di danneggiamento, notificare il reclamo allo spedizioniere ed avvisare il vostro fornitore.

Contenuto dell'imballo della scatola di comando:



RIF	COMPONENTE
A	scatola di comando
A1	leva
A2	pulsante
A3	flangia

RIF	Sacchetto viterie
B	4 viti M5x40
C	4 rondelle
D	2 viti TS 2,9
E	4 viti M5x16
F	4 dadi M5 autobloccanti
G	3 viti M5x16, con autobloccante
H	Copiglia
L	Cavallotto e piastrina
N	Vite forata ferma leva con perno
P	Terminale cavo acceleratore
Q	Flangia coprivoti
R	Terminale cavo
S	Perno ferma cavo
T	2 Seeger
U	Copiglia elastica



AVVERTENZA

L'imballo deve essere smaltito secondo le direttive vigenti.



3 INSTALLAZIONE

3.1 Utensili necessari



Cacciavite a stella (ø6) e a taglio (ø2)



Pinza



Chiave a tubo 14 mm



Trapano (punta da 5.5 mm)

3.2 Installazione a paratia della scatola di comando



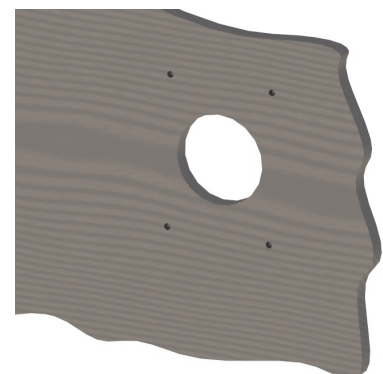
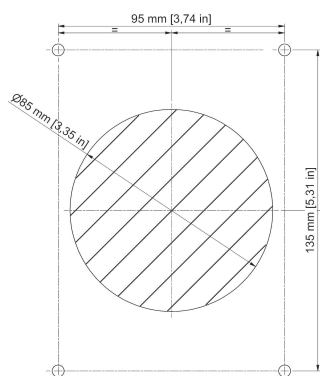
3.2.1 Installazione dall'interno paratia

⚠ ATTENZIONE

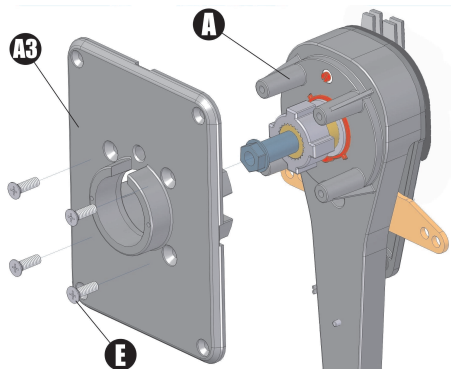
Evitare che i cavi siano sottoposti a curvature troppo strette (raggio minimo: 200 mm – 8"). Si raccomanda l'uso di cavi **ULTRAFLEX**.

- 1 Riferirsi alle quote di ingombro indicate al paragrafo 1.2 per verificare che la scatola possa essere effettivamente installata nella posizione prescelta.

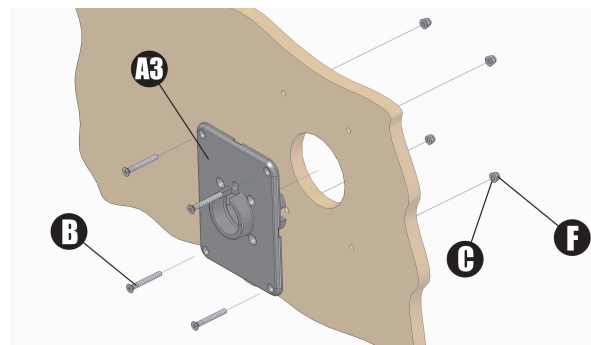
- 2 Dopo aver stabilito la collocazione appropriata, eseguire la foratura necessaria all'inserimento della scatola di comando con l'ausilio dell'apposita dima.



- 3 Dalla scatola di comando (A) rimuovere le 4 viti di bloccaggio (E) e la flangia (A3).



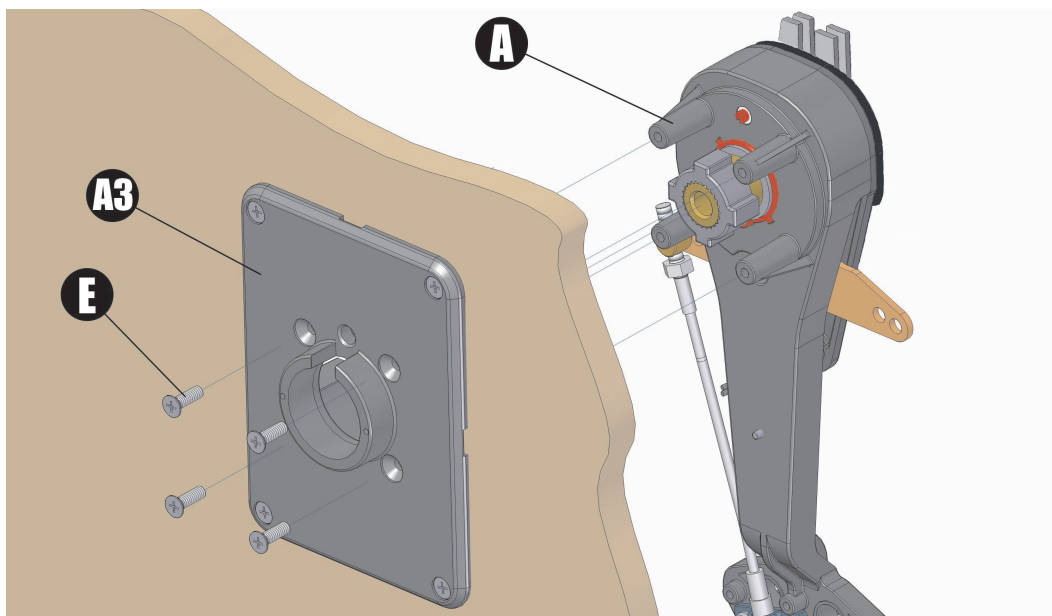
- 4 Fissare la flangia (A3) per mezzo delle viti (B), rondelle (C) e dadi (F).



NOTA

I cavi acceleratore ed invertitore vanno collegati al telaio ed ai bilancieri secondo le istruzioni al capitolo 3.4 e 3.5.

- 5 Fissare il meccanismo della scatola di comando (A) alla flangia (A3) con le viti (E).



3.2.2 Inserimento dall'esterno paratia

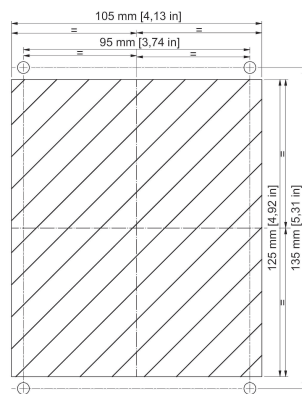
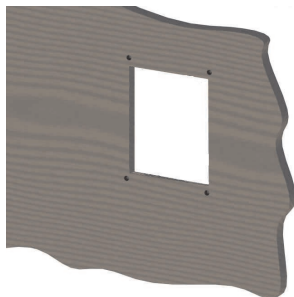
⚠ ATTENZIONE

Evitare che i cavi siano sottoposti a curvature troppo strette (raggio minimo: 200 mm – 8"). Si raccomanda l'uso di cavi **ULTRAFLEX**.

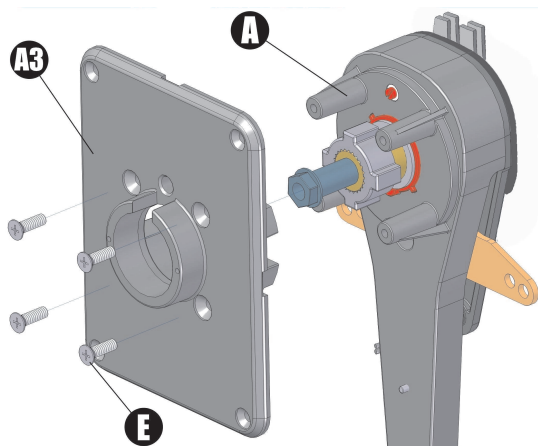
- 1 Riferirsi alla quote di ingombro indicate al paragrafo 1.2 per verificare che la scatola possa essere effettivamente installata nella posizione prescelta.



- 2 Dopo aver stabilito la collocazione appropriata, eseguire la foratura necessaria all'inserimento della scatola di comando con l'ausilio dell'apposita dima.

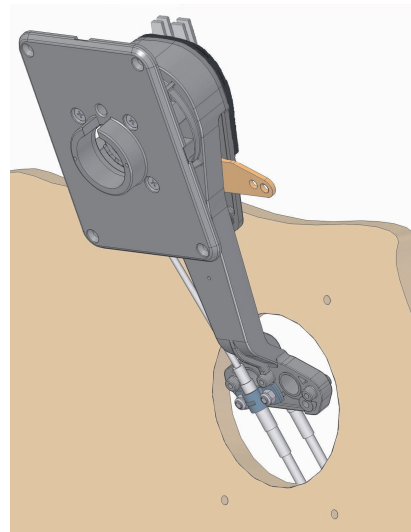


- 3 Dalla scatola di comando (A) rimuovere le 4 viti di bloccaggio (E) e la flangia (A3).



Reinserire la flangia (A3) sul telaio e avvitare parzialmente le viti (E) in modo che la flangia non sia serrata

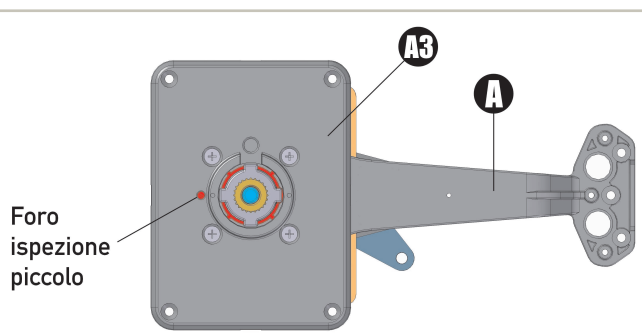
- 4 Far passare i cavi acceleratore e invertitore attraverso il foro a parafia e collegarli al telaio del meccanismo e ai bilancieri, come descritto nei capitoli 3.4 e 3.5.



- 5 Inserire il meccanismo della leva all'interno della parafia facendo attenzione a non forzare i cavi o i bilancieri contro eventuali ostacoli presenti. Serrare le viti (E) di fissaggio fra la flangia interna e il telaio, fissare la flangia interna alla parafia con n° 4 viti autofilettanti a testa svasata (il diametro dei fori svasati è 5.1 mm).

ATTENZIONE

È possibile montare il meccanismo in posizione orizzontale come mostrato in figura, ruotando la flangia interna (A3) in modo tale da far corrispondere il foro di ispezione piccolo con la vite di regolazione della frizione.





3.3 Installazione del neutral safety switch X41 (opzionale)

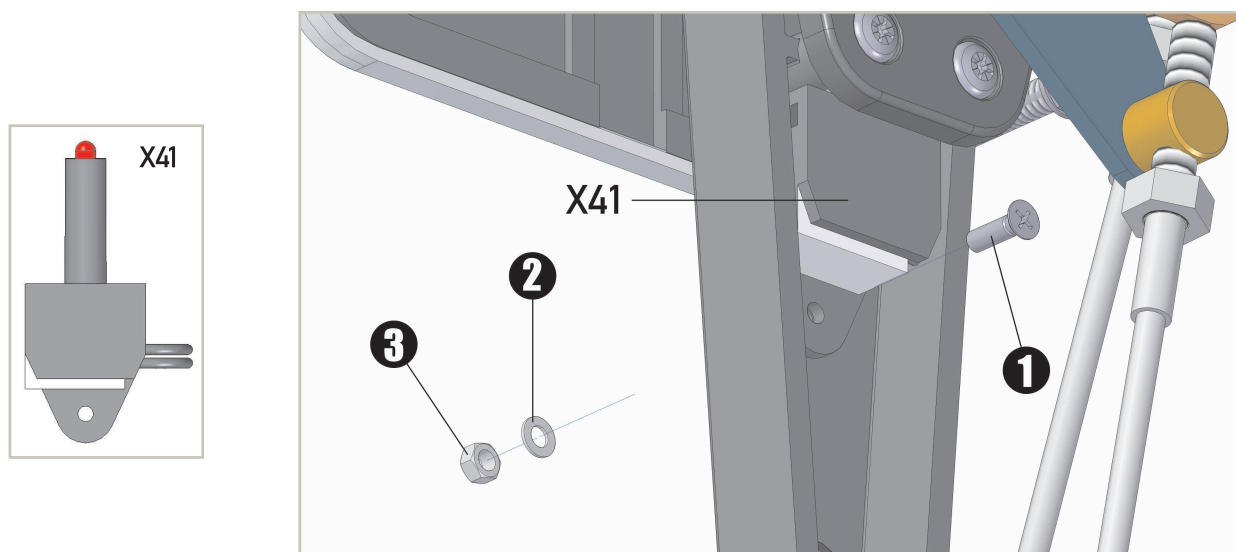
Questo dispositivo opzionale consente l'avvio del motore solo con l'invertitore in posizione di "folle", evitando movimenti indesiderati dell'imbarcazione.

Per il montaggio, procedere come segue:

Fissare l'interruttore di sicurezza X41 con vite (1), rondella (2) e dado (3) (inclusi nel kit X41), come in figura.

NOTA

La testa della vite deve appoggiare sulla superficie dell'interruttore.



ITALIANO

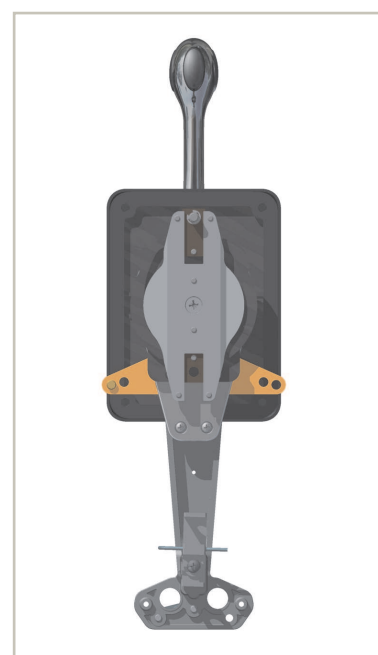
3.4 Montaggio del cavo invertitore



ATTENZIONE

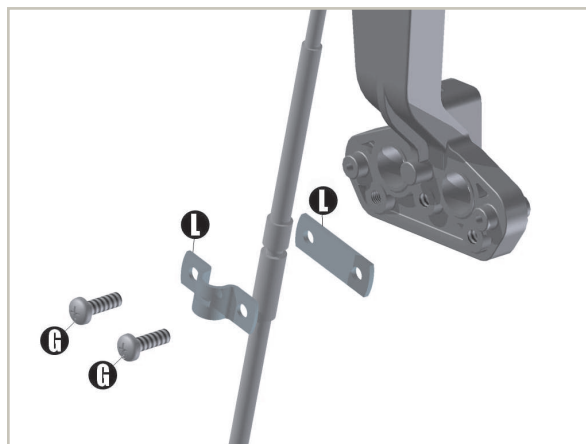
Prima di iniziare l'installazione assicurarsi che il bilanciere dell'invertitore sia in posizione di neutral (orizzontale) e l'acceleratore in posizione di minimo (posizione mostrata in figura).

Identificare su quale lato del telaio sarà necessario installare il cavo invertitore e acceleratore nel caso che sia necessario un movimento a tirare o a spingere il cavo.



3.4.1 Collegamento del cavo invertitore al telaio

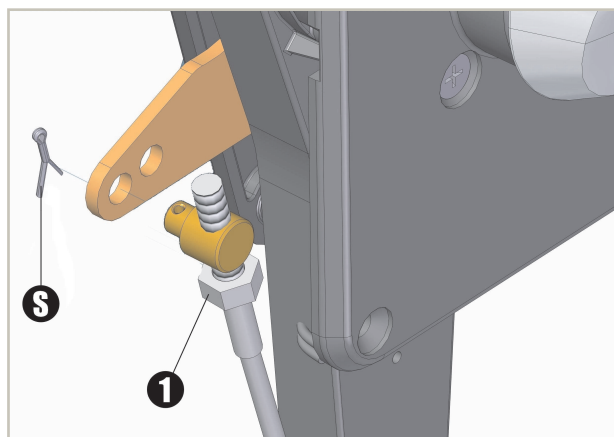
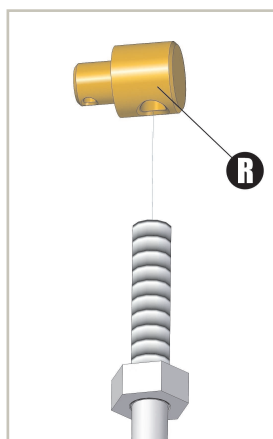
Fissare il terminale guaina del cavo invertitore al telaio per mezzo dell'apposita piastrina (P) e cavallotto (L) per mezzo delle viti (G), quindi serrare le viti.



3.4.2 Collegamento del cavo invertitore al bilanciante

Avvitare il terminale cavo (R) sulla filettatura in testa al cavo invertitore.

Chiudere o estendere il cavo in modo da inserire il terminale sul foro del bilanciante. Verificare che il cavo faccia tutta la corsa necessaria. Se la corsa è corretta serrare il controdado (1) e inserire l'apposita copiglia (S) nel terminale cavo per impedirle lo sfilamento dal bilanciante. Se la corsa non fosse quella desiderata avvitare o svitare il terminale sulla filettatura in testa al cavo per ottenere una regolazione più fine, quindi serrare il controdado (1) e inserire l'apposita copiglia (S) nel terminale cavo.



⚠ ATTENZIONE

- Il corretto funzionamento del comando dipende dall'esatta regolazione della corsa dell'invertitore.

⚠ ATTENZIONE

In nessun caso la corsa sviluppata dal comando monoleva (67 mm (2,64") sul foro interno: 78 mm (3,07") sul foro esterno del bilanciante) deve risultare superiore alla corsa misurata sulla leva del motore. Ciò potrebbe danneggiare sia il cavo che il comando.

- Le guaine dei cavi, uscenti dalla parte inferiore del comando, possono essere fasciate in gruppo o fissate ad una distanza minima di 500 mm (19,7") dal comando stesso.

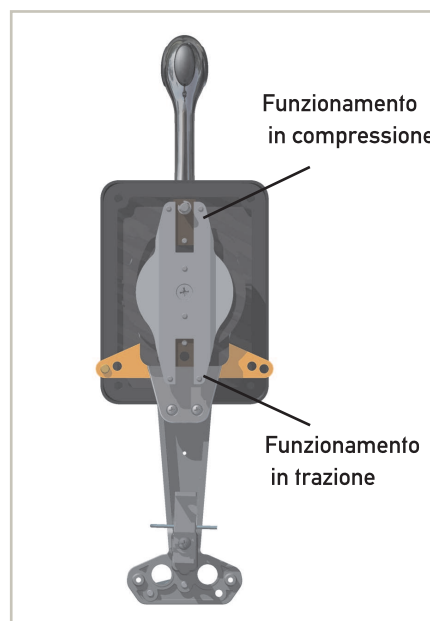
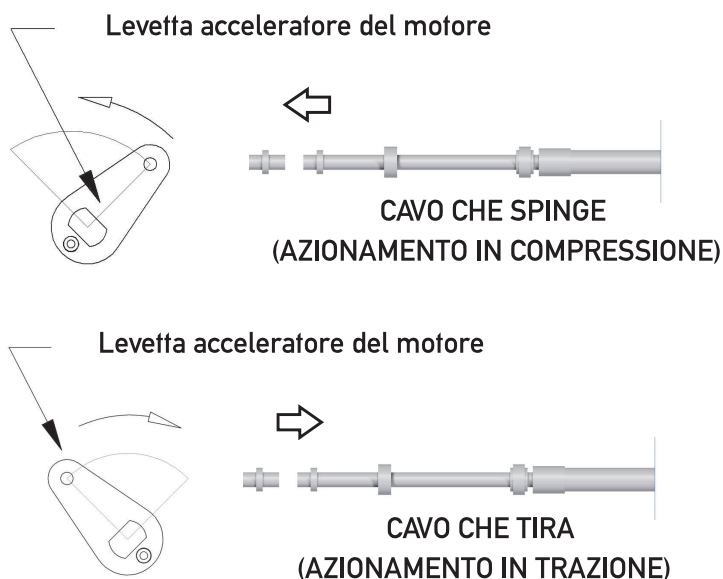




3.5 Montaggio del cavo acceleratore

A seconda delle caratteristiche del motore, può essere necessario montare il cavo acceleratore in trazione o in compressione.

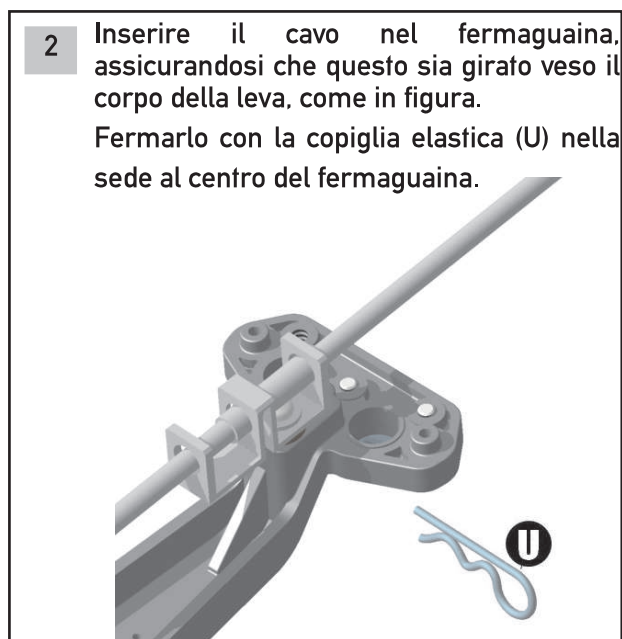
In particolare se la levetta dell'acceleratore del motore, per accelerare, deve essere spinta (vedi figura) il cavo va installato in compressione ; se la levetta deve esse firata, il cavo va installato in compressione



ITALIANO

3.5.1 Collegamento del cavo acceleratore in compressione

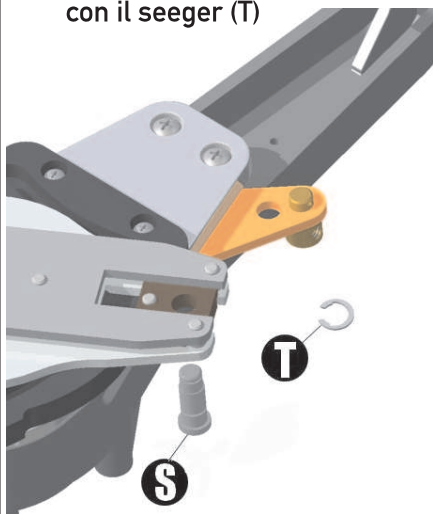
Se il motore dell'imbarcazione ha la levetta dell'acceleratore che deve essere azionata a spingere (azionamento in compressione) per incrementare la velocità dell'imbarcazione, occorre inserire il perno di bloccaggio del cavo nella slitta della parte alta del bilanciere (vedi figura).



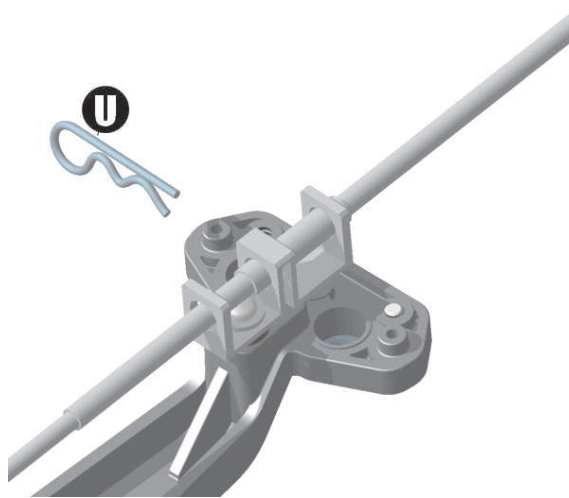
3.5.2 Collegamento del cavo acceleratore in trazione

Se il motore dell'imbarcazione ha la leva dell'acceleratore del motore che deve essere azionata a tirare (azionamento in trazione) per incrementare la velocità, occorre inserire il perno di bloccaggio del cavo nella slitta della parte bassa del bilanciere (vedi figura).

- 1 Ruotare la leva di almeno 45° in modo tale da portare la slitta nella parte bassa del bilanciere in una posizione che permetta l'inserimento del perno (vedi figura). Inserire il perno (S) nella slitta della parte alta del bilanciere (vedi figura) e bloccarla con il seeger (T)



- 2 Inserire il cavo nel fermaguaina, assicurandosi che questo sia girato verso l'esterno, come in figura. Fermarlo inserendo la copiglia elastica (U) nella sede al centro del fermaguaina.



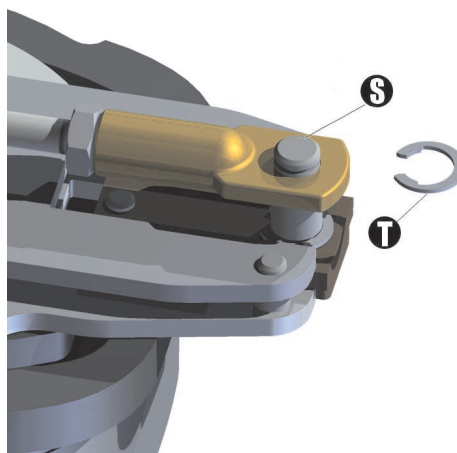
ITALIANO

3.5.3 Collegamento del cavo acceleratore al bilanciere

- 1 Avvitare il terminale cavo (P) sulla filettatura in testa al cavo acceleratore.



- 2 Inserire il puntale sul perno (S) e fissarlo con il seeger (T).



ATTENZIONE

- Il corretto funzionamento del comando dipende dall'esatta regolazione della corsa dell'acceleratore.



3.6 Montaggio gruppo leva

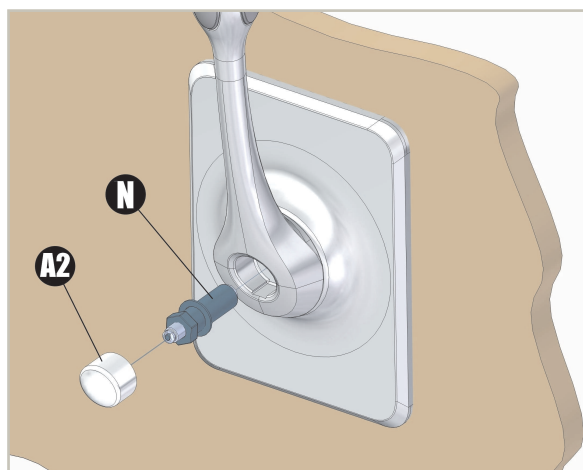
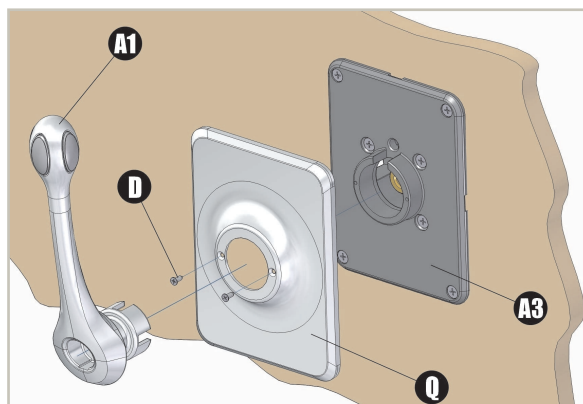


Fissare la flangia esterna (Q) con le viti (D) alla flangia (A3).

Inserire la leva (A1).

Mantenere la leva in posizione di folle ed inserirla nella scatola di comando (A) sull'albero millerighe.

Stringere la vite (N) utilizzando la chiave a tubo da 14 mm e inserire il pulsante (A2) nella sua sede sul mozzo della leva (vedi figura).



NOTA

Premere il pulsante almeno 3 volte per ottenere un buon fissaggio.

ITALIANO

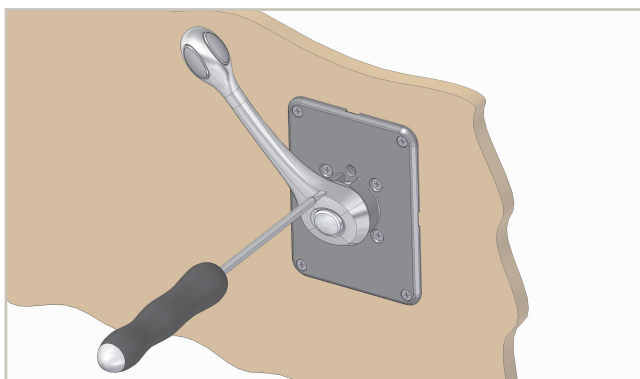
3.7 Regolazione della frizione



Accedere alla vite di regolazione della frizione agendo con un cacciavite a taglio. Ruotare la vite in senso orario per aumentare il frizionamento, in senso antiorario per diminuirlo.

NOTA BENE

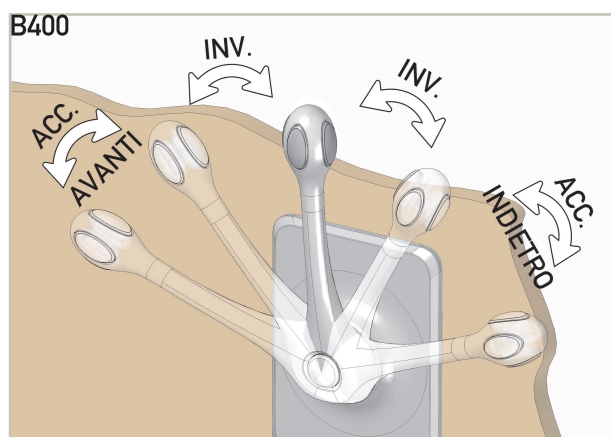
LA REGOLAZIONE DELLA FRIZIONE DEVE ESSERE ESEGUITA SEMPRE A MOTORE SPENTO, PORTANDO LA LEVA IN POSIZIONE ACCELERATA.



4 USO DELLA LEVA

4.1 Uso della leva

La corsa della leva è divisa in due movimenti: nella prima fase di 30° si aziona l'invertitore; nella seconda fase di 80° l'acceleratore. Portando la leva in avanti si ottiene l'avanzamento dell'imbarcazione, mentre all'indietro si procede in retromarcia.



ITALIANO

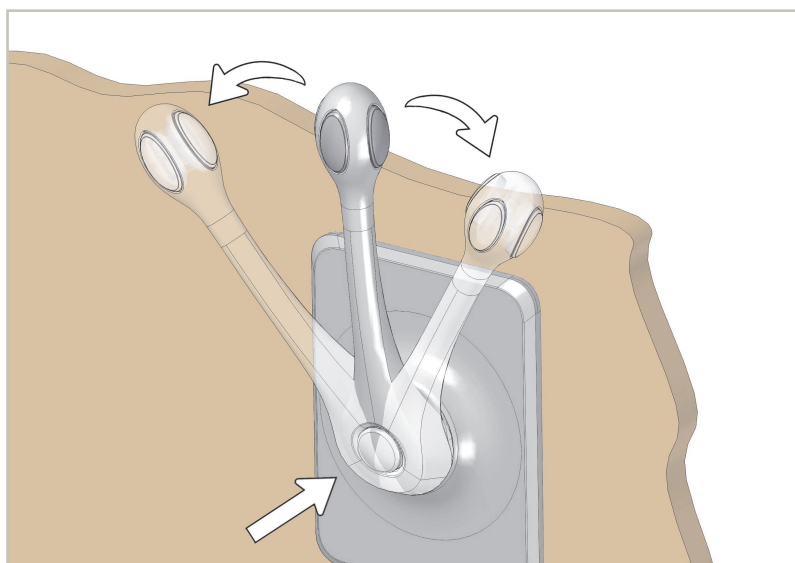
! PERICOLO

Prima di avviare il motore, se il comando è sprovvisto di neutral safety switch, accertarsi che la leva sia in posizione di folle.

4.2 Accelerazione in folle

Premere il pulsante centrale e, mantenendolo schiacciato, ruotare la monoleva in senso orario od antiorario fino ad ottenere l'accelerazione voluta.

Riposizionando la leva in folle, la molla di richiamo riporterà il pulsante nella posizione iniziale.



5 AVVERTENZE DI SICUREZZA

Questa sezione ha lo scopo di illustrare le norme di sicurezza da seguire per un uso corretto dell'apparecchiatura. Si raccomanda di leggere con molta attenzione questa sezione. Si raccomanda di leggere i manuali forniti con gli altri componenti del comando monoleva.

5.1 Sicurezza durante l'installazione e l'uso



RISPETTATE TASSATIVAMENTE le precauzioni ed i criteri di sicurezza indicati qui di seguito.

ULTRAFLEX declina ogni responsabilità nel caso in cui l'utilizzatore non lo osservi, così come non è responsabile per qualsiasi negligenza che venga commessa durante l'utilizzo del sistema.

PERICOLO

- NON INSERIRE LE MANI TRA GLI ORGANI IN MOVIMENTO
- Non disattivare o rendere in qualsiasi modo non operativi i dispositivi di sicurezza
- Non modificare o aggiungere dispositivi all'impianto, senza autorizzazione scritta o previo intervento tecnico della **ULTRAFLEX** che compri nella descrizione dell'intervento la modifica apportata.
- Non utilizzare l'apparecchiatura per uno scopo diverso da quello per cui è destinata, specificato nel manuale di installazione e manutenzione.
- Non far eseguire l'installazione a personale non specializzato.

ATTENZIONE

- In fase di installazione del sistema, avere particolare cura nel mantenere la massima pulizia, per evitare che qualunque corpo estraneo possa penetrare nel sistema stesso. Anche il più piccolo oggetto potrebbe arrecare danni permanenti non immediatamente rilevabili.
- Evitare i raggi di curvatura dei cavi < 200mm (8").
- Evitare il contatto dei cavi con bordi o spigoli taglienti.
- Evitare il contatto dei cavi con fonti di calore.

5.2 Abbigliamento

ATTENZIONE

Durante le fasi di installazione, ispezione, o manutenzione È SEVERAMENTE PROIBITO indossare collane, braccialetti o indumenti che potrebbero impigliarsi in parti in movimento.



6 MANUTENZIONE

6.1 Manutenzione ordinaria

ATTENZIONE

La mancata osservanza dei controlli di manutenzione può causare la perdita del controllo della guida con possibili danni materiali e/o lesioni personali.

I requisiti per la manutenzione variano secondo il clima, la frequenza ed il modo di impiego. Sono necessarie ispezioni almeno biennali effettuate da un esperto meccanico nautico.

Effettuare le seguenti operazioni di manutenzione:

- Periodicamente lavare con acqua dolce i componenti rimuovendo eventuali depositi di sale.
- Ad intervalli mensili regolare controllare ed eventualmente stringere tutti i dadi di fissaggio del sistema.

ITALIANO

PERICOLO

L'allentamento o la separazione dei dadi di fissaggio può causare, oltre al malfunzionamento del comando monoleva, danni a persone e a cose.

- Periodicamente controllare che non vi sia corrosione sulle parti metalliche dei terminali del cavo e abrasioni sulla guaina.
- Sostituire le parti danneggiate che possono compromettere l'integrità del comando monoleva.

6.2 Manutenzione straordinaria

Assistenza tecnica

Per qualsiasi informazione o per assistenza relativa ad applicazioni particolari, Vi invitiamo a contattare il nostro servizio di assistenza tecnica (Vedi paragrafo "Lettera Informativa").



7 SMANTELLAMENTO

7.1 Smantellamento



Qualora si intenda, per qualsiasi motivo, mettere fuori servizio il sistema di comando è necessario osservare alcune regole fondamentali atte a salvaguardare l'ambiente.

Guaine, condotti flessibili, componenti di materiale plastico o comunque non metallico, dovranno essere smontati e smaltiti separatamente.

