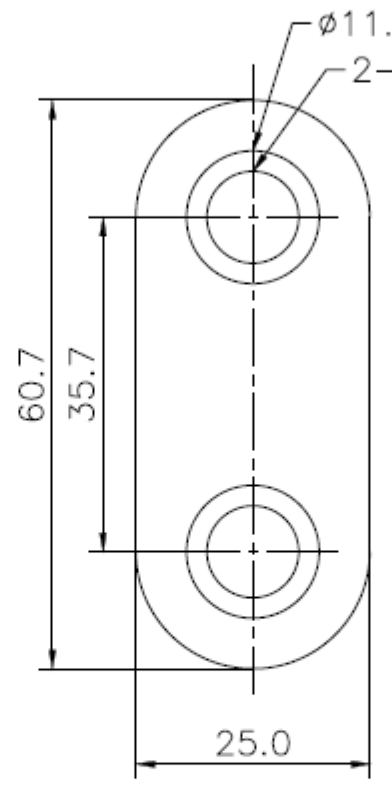
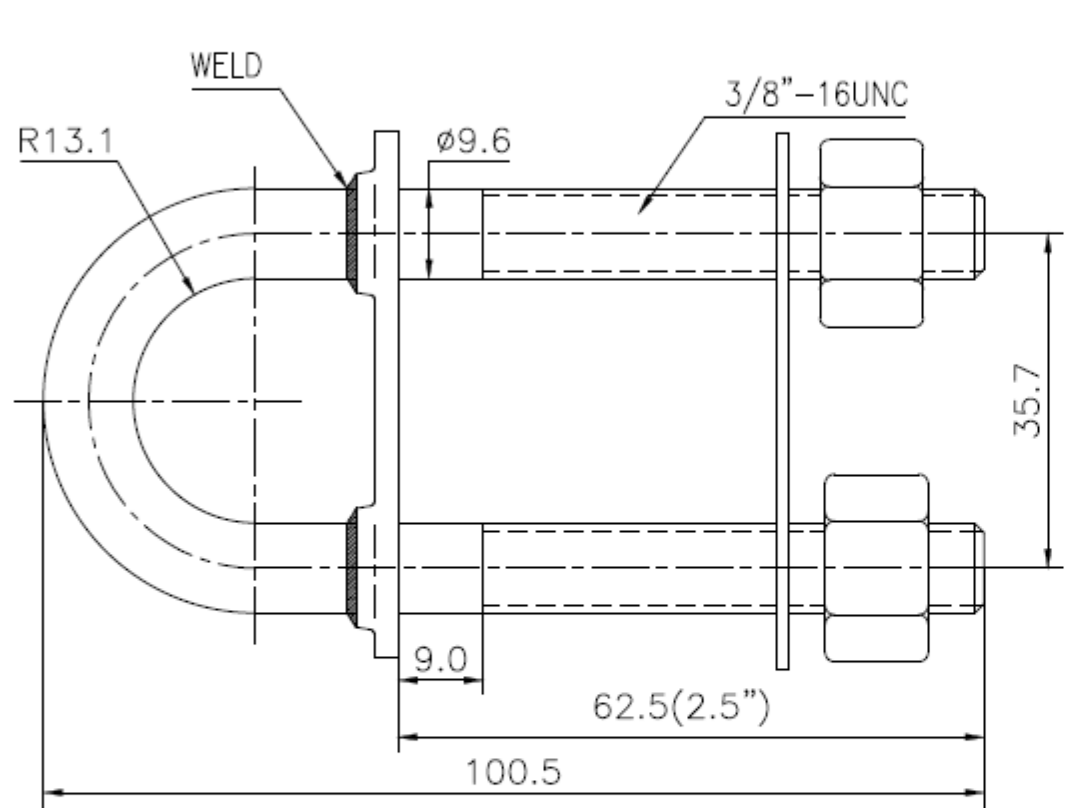
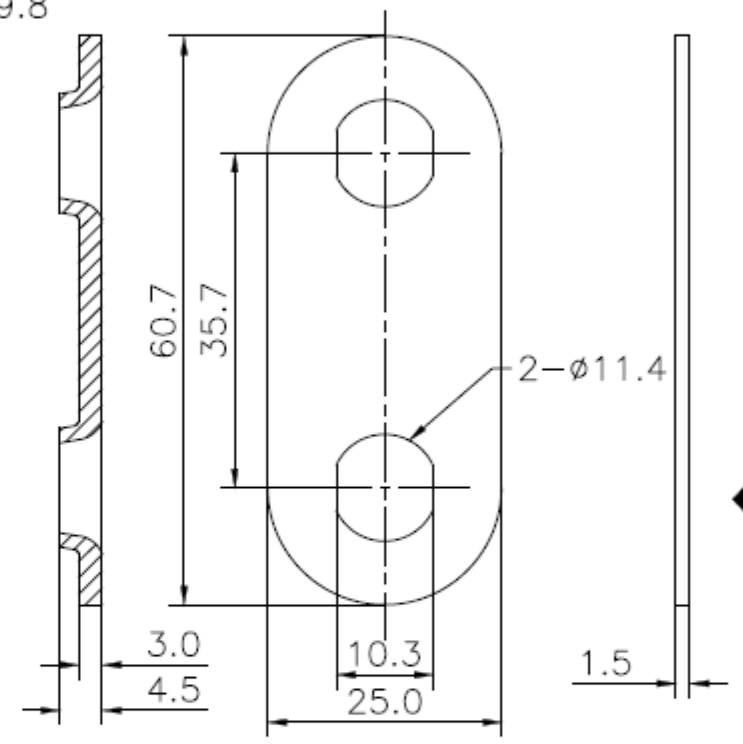


REVISIONS				
ZONE	LTR	DESCRIPTION	DATE	APPROVED



WELDED PLATE



BACK PLATE

SUS 304 OSC P/N:3912701