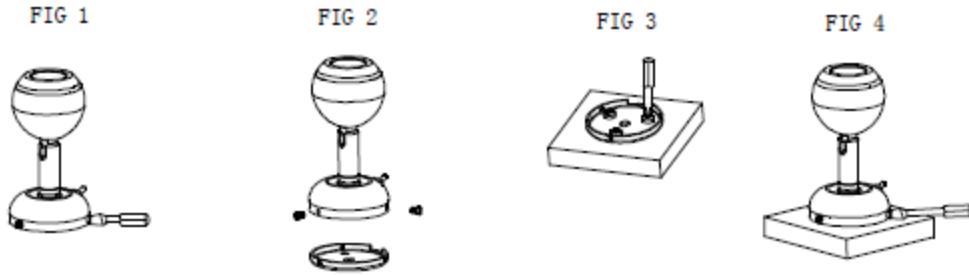


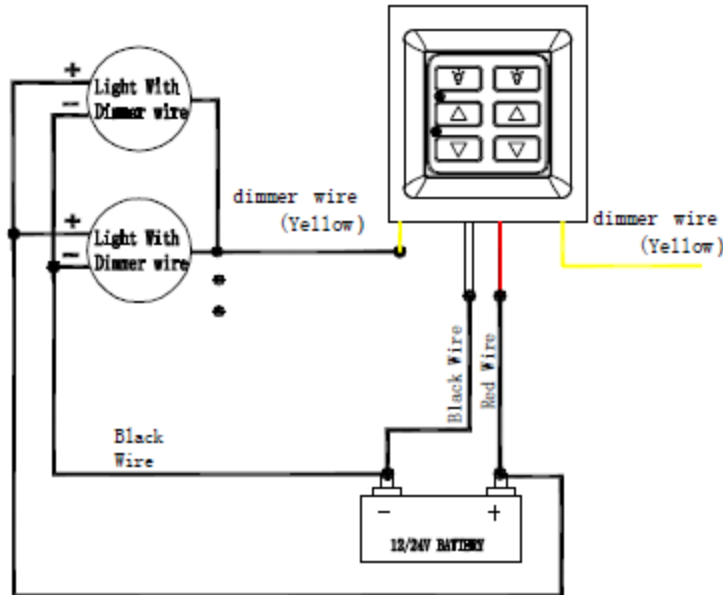
Brass LED Light



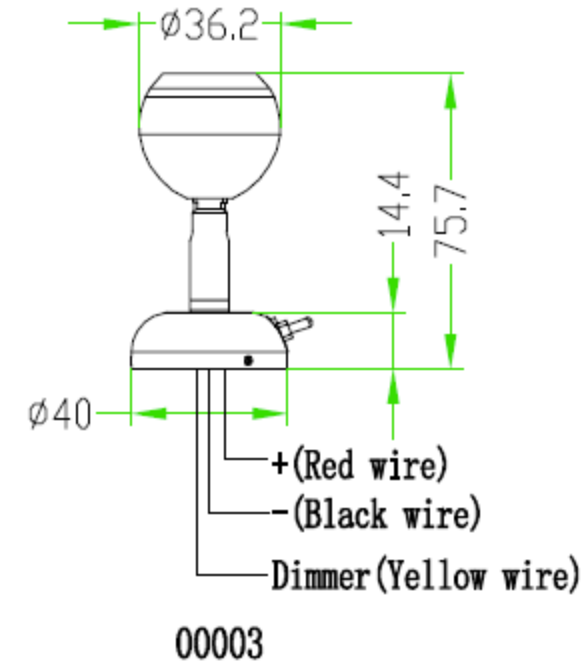
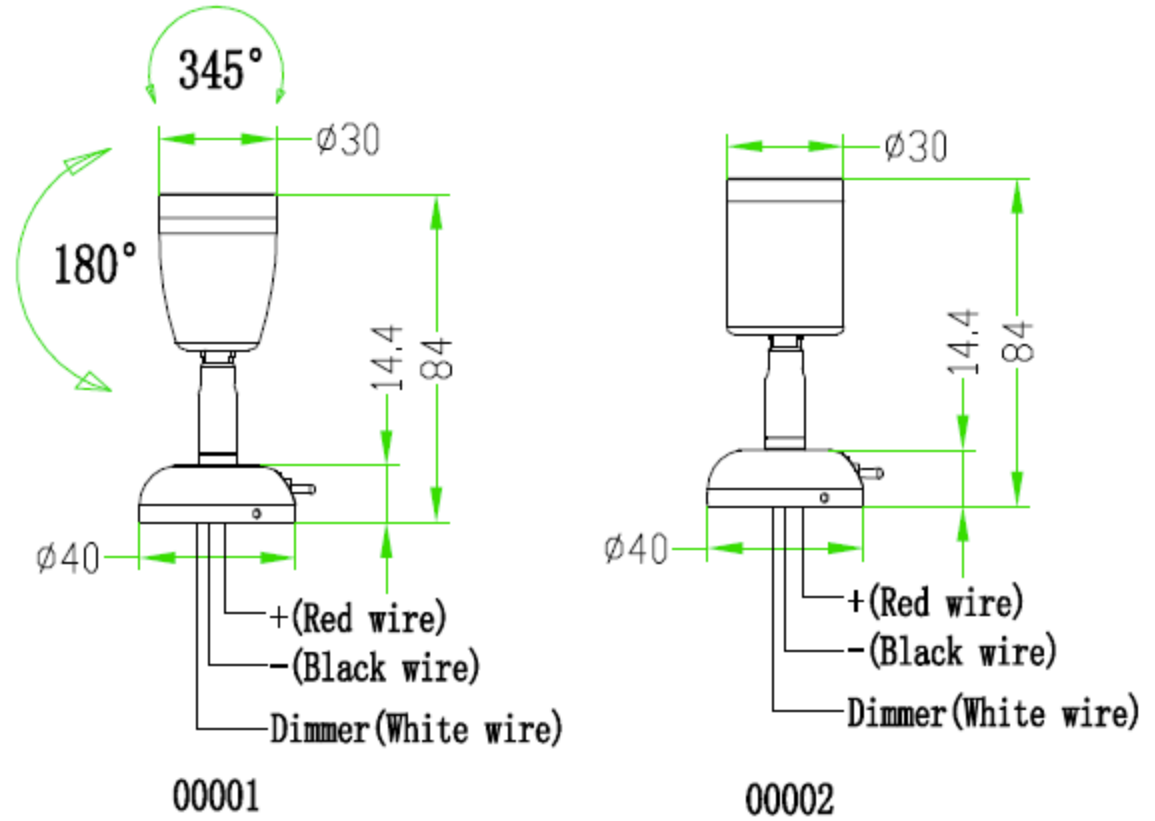
Lamp Mounting Instruction

1. Loose the 3 screws from the base cover (FIG 1) .
2. Pull out the base plate from the bottom (FIG 2) .
3. Mount the base plate on the flat surface with 3 screws (FIG 3) .
4. Tight the light fixture onto the base plate with 3 screws (FIG 4) .

wiring diagram



NOTE: AAA recommends using AAA Brand Dimmer #01157 for this wiring diagram. compatibility with other branded dimmer is NOT guaranteed.



Unit:mm