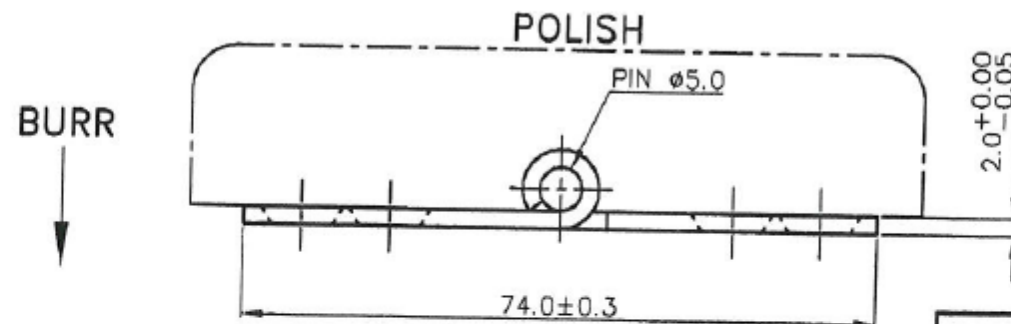
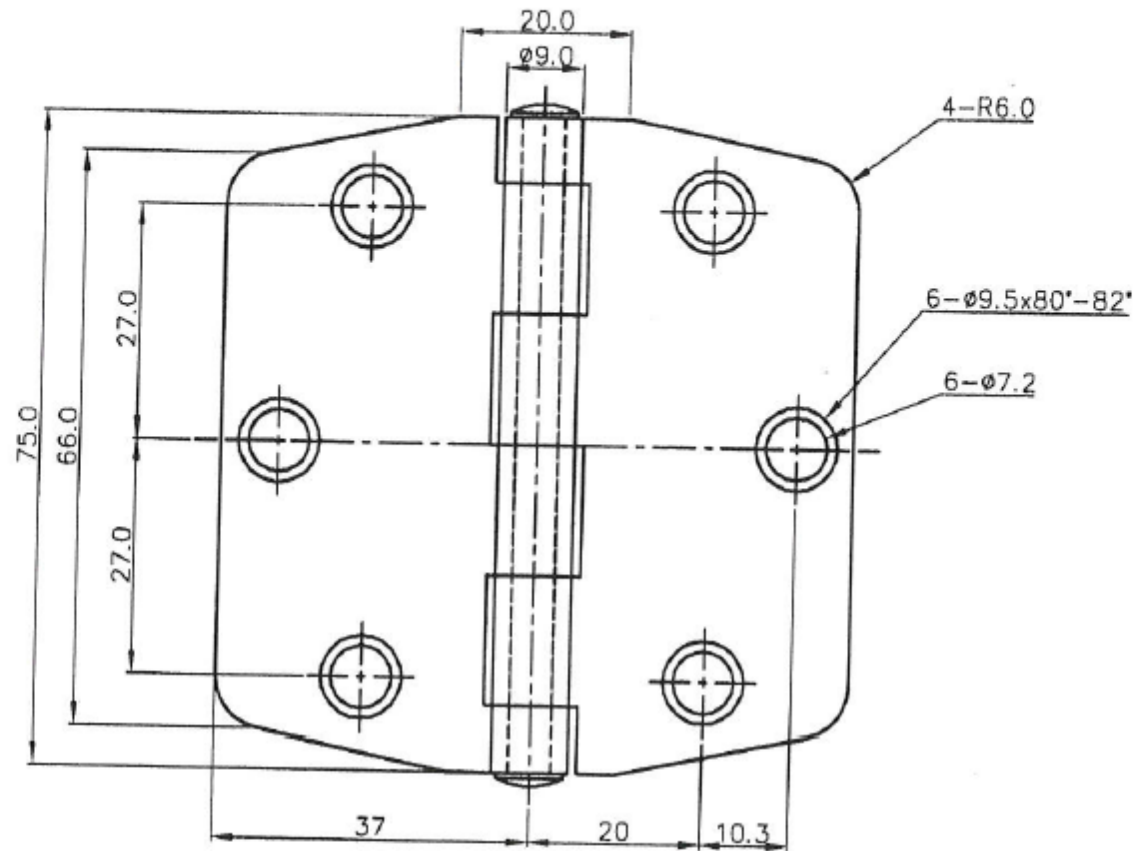


REV.	DESCRIPTION	DATE	DWG. BY
A	0.0	00/00/00	-

A26



1. A26 = 2.0tx62.0x77p = 585 PCS.
2. PIN A44005745 = 1 PCS.

COPY

DRAWING BY: POY ^{ecb}		TITLE :	
DATE: 07/09/1999		CUSTOMER :	
CHECKED BY: PK.		REVISION : A	
DATE: 01/08/2009		MATERIAL : #304 2.0t	
TOLERANCE	SCALE: 1:1	DWG. NO. : A26	ERP
MM.	FILE :		01/08/09
0.0 ±0.13			
0.00 -			