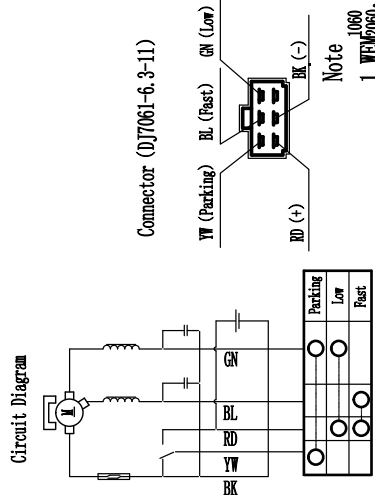
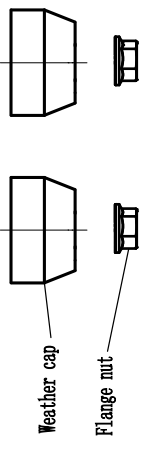
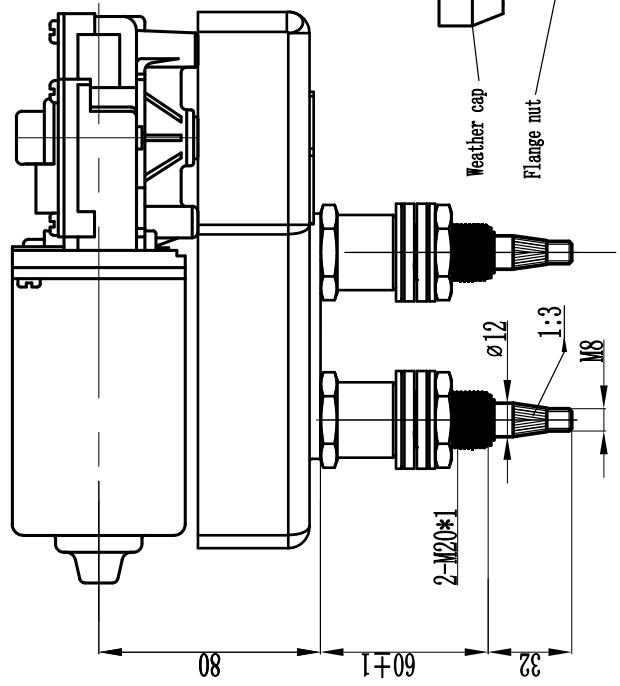
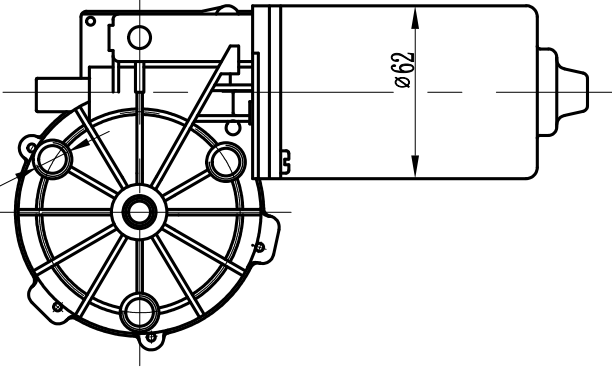
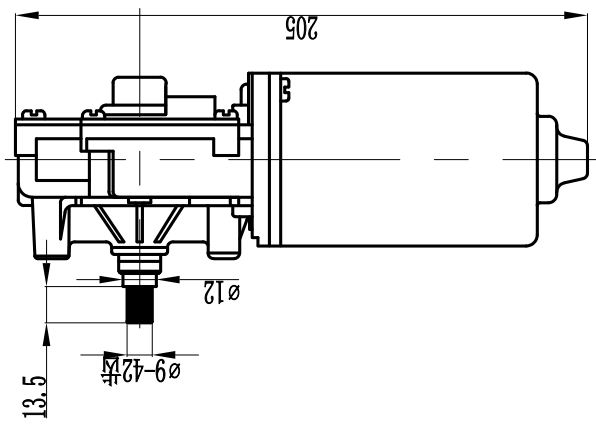
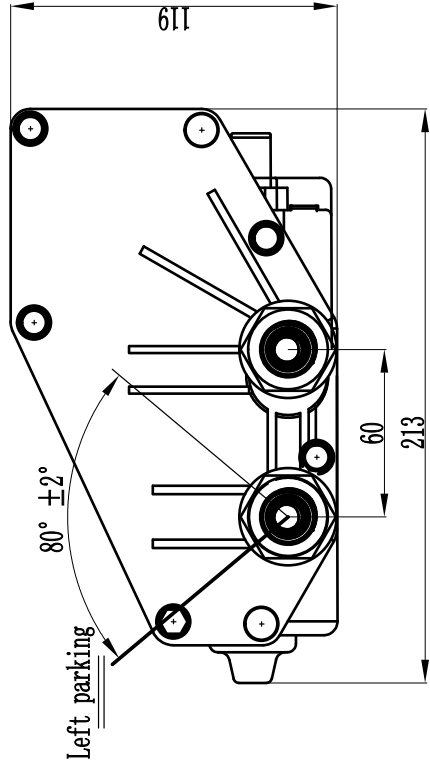


2020



Note
 1. WEM2060, 24V, 70W, 5 cables.
 2. Material of shaft: SUS, bush: Copper.
 3. Wiping angle 80°, motor left parking.

Rated Voltage	24V	12V
Test Voltage	27V	13.5V
Brake Torque	35N.m	
Working Torque	9N.m	
Noise	≤65dB(A)	
No-load speed	Low	30±5r/min
	Fast	45±5r/min
No-load current	Low	≤1.5A
	Fast	≤2.5A

Rev.	Mark	Signature	Date
Design			
Drawing			
Check			
Proof			
App			

Marine Wiper Motor		Customer	Osculati
Weight		Model	19.185.01 - 02
View		Drawing#	
Scale	1:1	Rev.	A
Page			

Mark	Modification Record	Date